

Rity8R/10R/12R/15R Series

8"/ 10"/12"/ 15" Android POS

Quick Reference Guide

1st Ed – 02 March 2015

Copyright Notice

Copyright © 2015 Avalue Technology Inc., ALL RIGHTS RESERVED.

Part No. E2017R15RA0R

FCC Statement



THIS DEVICE COMPLIES WITH PART 15 FCC RULES. OPERATION IS SUBJECT TO THE FOLLOWING TWO CONDITIONS:

- (1) THIS DEVICE MAY NOT CAUSE HARMFUL INTERFERENCE.
- (2) THIS DEVICE MUST ACCEPT ANY INTERFERENCE RECEIVED INCLUDING INTERFERENCE THAT MAY CAUSE UNDESIRE OPERATION.

THIS EQUIPMENT HAS BEEN TESTED AND FOUND TO COMPLY WITH THE LIMITS FOR A CLASS "A" DIGITAL DEVICE, PURSUANT TO PART 15 OF THE FCC RULES.

THESE LIMITS ARE DESIGNED TO PROVIDE REASONABLE PROTECTION AGAINST HARMFUL INTERFERENCE WHEN THE EQUIPMENT IS OPERATED IN A COMMERCIAL ENVIRONMENT. THIS EQUIPMENT GENERATES, USES, AND CAN RADIATE RADIO FREQUENCY ENERGY AND, IF NOT INSTALLED AND USED IN ACCORDANCE WITH THE INSTRUCTION MANUAL, MAY CAUSE HARMFUL INTERFERENCE TO RADIO COMMUNICATIONS.

OPERATION OF THIS EQUIPMENT IN A RESIDENTIAL AREA IS LIKELY TO CAUSE HARMFUL INTERFERENCE IN WHICH CASE THE USER WILL BE REQUIRED TO CORRECT THE INTERFERENCE AT HIS OWN EXPENSE.

Notice

This guide is designed for experienced users to setup the system within the shortest time. For detailed information, please always refer to the electronic user's manual.

Copyright Notice

Copyright © 2015 Avalue Technology Inc., ALL RIGHTS RESERVED.

No part of this document may be reproduced, copied, translated, or transmitted in any form or by any means, electronic or mechanical, for any purpose, without the prior written permission of the original manufacturer.

Trademark Acknowledgement

Brand and product names are trademarks or registered trademarks of their respective owners.

Disclaimer

Avalue Technology Inc. reserves the right to make changes, without notice, to any product, including circuits and/or software described or contained in this manual in order to improve design and/or performance. Avalue Technology assumes no responsibility or liability for the use of the described product(s), conveys no license or title under any patent, copyright, or masks work rights to these products, and makes no representations or warranties that

these products are free from patent, copyright, or mask work right infringement, unless otherwise specified. Applications that are described in this manual are for illustration purposes only. Avalue Technology Inc. makes no representation or warranty that such application will be suitable for the specified use without further testing or modification.

Life Support Policy

Avalue Technology's PRODUCTS ARE NOT FOR USE AS CRITICAL COMPONENTS IN LIFE SUPPORT DEVICES OR SYSTEMS WITHOUT THE PRIOR WRITTEN APPROVAL OF Avalue Technology Inc.

As used herein:

1. Life support devices or systems are devices or systems which, (a) are intended for surgical implant into body, or (b) support or sustain life and whose failure to perform, when properly used in accordance with instructions for use provided in the labeling, can be reasonably expected to result in significant injury to the user.
2. A critical component is any component of a life support device or system whose failure to perform can be reasonably expected to cause the failure of the life support device or system, or to affect its safety or effectiveness.

A Message to the Customer

Avalue Customer Services

Each and every Avalue's product is built to the most exacting specifications to ensure reliable performance in the harsh and demanding conditions typical of industrial environments. Whether your new Avalue device is destined for the laboratory or the factory floor, you can be assured that your product will provide the reliability and ease of operation for which the name Avalue has come to be known.

Your satisfaction is our primary concern. Here is a guide to Avalue's customer services. To ensure you get the full benefit of our services, please follow the instructions below carefully.

Technical Support

We want you to get the maximum performance from your products. So if you run into technical difficulties, we are here to help. For the most frequently asked questions, you can easily find answers in your product documentation. These answers are normally a lot more detailed than the ones we can give over the phone. So please consult the user's manual first.

To receive the latest version of the user's manual; please visit our Web site at:

<http://www.avalue.com.tw/>

Content

1.	Getting Started	5
1.1	Safety Precautions	5
1.2	Packing List.....	5
1.3	System Specifications	6
1.4	System Overview	10
1.4.1	Front View.....	10
1.4.2	Bottom View.....	10
1.5	System Dimensions	12
1.5.1	Rity8R Front and Rear side	12
1.5.2	Rity10R Front and Rear side	13
1.5.3	Rity12R Front and Rear side	14
1.5.4	Rity15R Front and Rear side	15
2.	Hardware Configuration	16
2.1	Rity8R/10R/12R/15R Series connector mapping	17
2.1.1	Serial port 1/2 connector (COM1/2).....	17
2.2	Installing Memory & Mini PCI-e device.....	18

1. Getting Started

1.1 Safety Precautions

Warning!



Always completely disconnect the power cord from your chassis whenever you work with the hardware. Do not make connections while the power is on. Sensitive electronic components can be damaged by sudden power surges. Only experienced electronics personnel should open the PC chassis.

Caution!



Always ground yourself to remove any static charge before touching the CPU card. Modern electronic devices are very sensitive to static electric charges. As a safety precaution, use a grounding wrist strap at all times. Place all electronic components in a static-dissipative surface or static-shielded bag when they are not in the chassis.

1.2 Packing List

- 1 x Rity8R/10R/12R/15R Series
- 1 x 12V Adapter
- 1 x Power Cord
- 1 x VESA
- Optional MSR (10R/12R/15R)
- Optional VFD/ Stand (12R/15R)



If any of the above items is damaged or missing, contact your retailer.






1.3 System Specifications






System		
Model	Rity8R	Rity10R
Processor	Freescale i.MX 6 Dual Lite	
	Freescale i.MX 6 Quad Core	
System Memory	1GB DDR3 RAM (Dual Lite)	
	2GB DDR3L RAM (Quad)	
Expansion		
Expansion	1 x Mini PCI Express slot (Supported WIFI & 3.5G module)	
	1 x Micro SD slot	
	1 x SIM card holder onboard	
Storage		
Storage	4GB eMMC up to 8GB (expandable by Mini SD)	
I/O		
USB	2 x USB 2.0	
	1 x OTG	
COM Port	2 x RS232	
External I/O Connector	1 x USB Type A Double Deck	
	2 x RJ45 Connector with Indicate LED	
	1 x HDMI Connector (Vertical Type)	
	1 x Mini USB Connector	
	1 x RJ11 Connector for Cash Drawer	
	2 x DB9 Male Connector	
	1 x DC 12V Power Input by Power DC Jack	
Internal I/O Connector	1 x VGA (Quad core only)	
	3 x USB pin header	
	1 x 5-wire RES/PCT Touch Interface	
	1 x Dual Channel 24-bit LVDS	
	1 x Stereo Speaker-out (4ohm 0.5W x 2)	
	1 x Mini PCIe x 1 (with USB Signal Only)	
	1 x SIM Socket	
	1 x "Front Panel Connector with Power Button & Indicate LED for Power & LAN & WIFI"	
Display		

Quick Reference Guide

Resolution	Max. resolution 1024 x 600	Max. resolution 1366 x 768
Multiple Display	LVDS + VGA (Only i.MX6 Quad core can be achieved)	
	LVDS + HDMI	
Audio ▾		
Chipset	Wolfson WM8962	
Audio Interface	2P Pin Header x 2 (Speaker-out R & L) (Driver Per Channel Max 2W)	
Ethernet ▾		
Chipset	LAN 1: From i.MX6 MAC, PHY is Micrel KSZ9031RNX	
	LAN 2: Intel 82574L by PCIe Interface (Optional)	
Ethernet Interface	RJ45 Connectors for G LAN	
Mechanical & Environmental ▾		
Power Requirement	DC 12 ~ 24V Power Input	
Power Type	2.5mm DC Jack	
Operating Temp.	0°C ~ 40°C	
Storage Temp.	-10°C ~ 60°C	
Operating Humidity	0% ~ 90% Relative Humidity, Non-condensing	
Dimension (W x D x H)	231.7mm x 149.5mm x 42mm	260mm x 178mm x 42mm
	Weight	1.48 Kgs
Certifications ▾		
Certification Information	CE Class B	
	FCC Class B	
	VCCI Class B	
Software Support ▾		
OS Information	Android 4.4.2	
	Ubuntu 12.04	
	Yocto 1.5.1	

Rity8R/10R/12R/15R Series

System 		
Model	Rity12R	Rity15R
Processor	Freescale i.MX 6 Dual Lite	
	Freescale i.MX 6 Quad Core	
System Memory	1GB DDR3 RAM (Dual Lite)	
	2GB DDR3L RAM (Quad)	
Expansion 		
Expansion	1 x Mini PCI Express slot (Supported WIFI & 3.5G module)	
	1 x Micro SD slot	
	1 x SIM card holder onboard	
Storage 		
Storage	4GB eMMC up to 8GB (expandable by Mini SD)	
I/O 		
USB	2 x USB 2.0	
	1 x OTG	
COM Port	2 x RS232	
External I/O Connector	1 x USB Type A Double Deck	
	2 x RJ45 Connector with Indicate LED	
	1 x HDMI Connector (Vertical Type)	
	1 x Mini USB Connector	
	1 x RJ11 Connector for Cash Drawer	
	2 x DB9 Male Connector	
	1 x DC 12V Power Input by Power DC Jack	
Internal I/O Connector	1 x VGA (Quad core only)	
	3 x USB pin header	
	1 x 5-wire RES/PCT Touch Interface	
	1 x Dual Channel 24-bit LVDS	
	1 x Stereo Speaker-out (4ohm 0.5W x 2)	
	1 x Mini PCIe x 1 (with USB Signal Only)	
	1 x SIM Socket	
	1 x "Front Panel Connector with Power Button & Indicate LED for Power & LAN & WIFI"	
Display 		
Resolution	Max. resolution 1024 x 768	
Multiple Display	LVDS + VGA (Only i.MX6 Quad core can be achieved)	
	LVDS + HDMI	

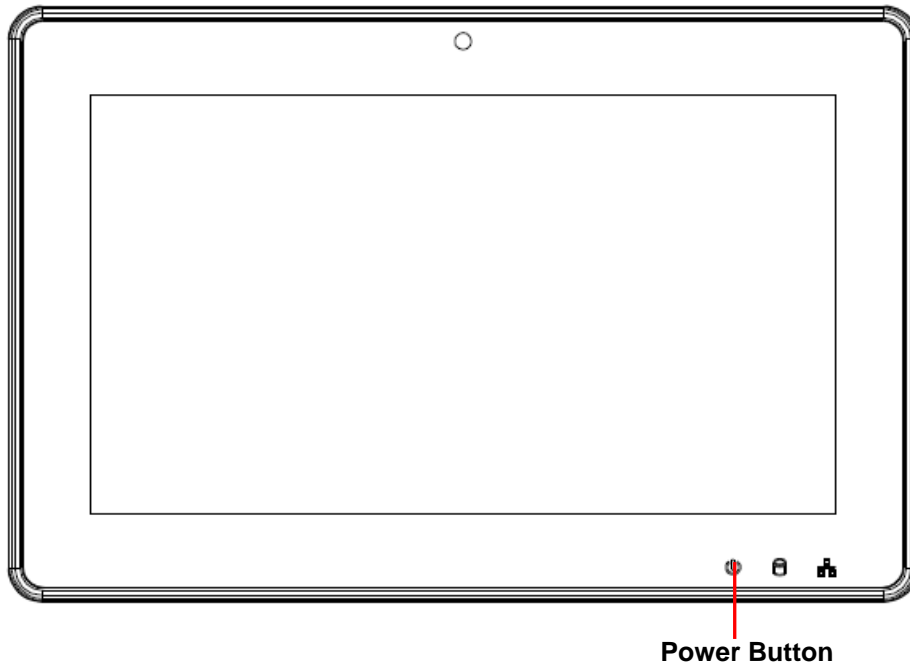
Audio 		
Chipset	Wolfson WM8962	
Audio Interface	2P Pin Header x 2 (Speaker-out R & L) (Driver Per Channel Max 2W)	
Ethernet 		
Chipset	LAN 1: From i.MX6 MAC, PHY is Micrel KSZ9031RNX	
	LAN 2: Intel 82574L by PCIe Interface (Optional)	
Ethernet Interface	RJ45 Connectors for G LAN	
Mechanical & Environmental 		
Power Requirement	DC 12 ~ 24V Power Input	
Power Type	2.5mm DC Jack	
Operating Temp.	0°C ~ 40°C	
Storage Temp.	-10°C ~ 60°C	
Operating Humidity	0% ~ 90% Relative Humidity, Non-condensing	
Dimension (W x D x H)	322mm x 250mm x 47mm	362.1mm x 290.08mm x 51mm
Weight	2.35 Kgs	3.39 Kgs
Certifications 		
Certification Information	CE Class B	
	FCC Class B	
	VCCI Class B	
Software Support 		
OS Information	Android 4.4.2	
	Ubuntu 12.04	
	Yocto 1.5.1	



Note: Specifications are subject to change without notice.

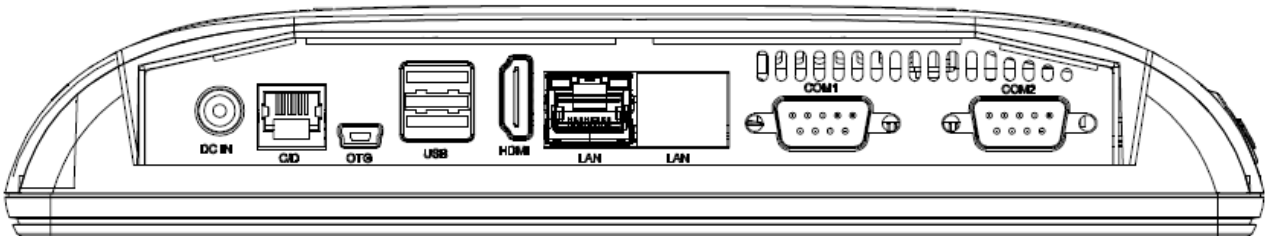
1.4 System Overview

1.4.1 Front View

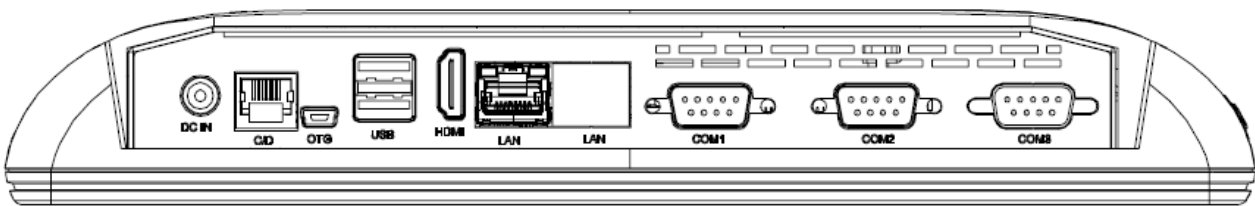


1.4.2 Bottom View

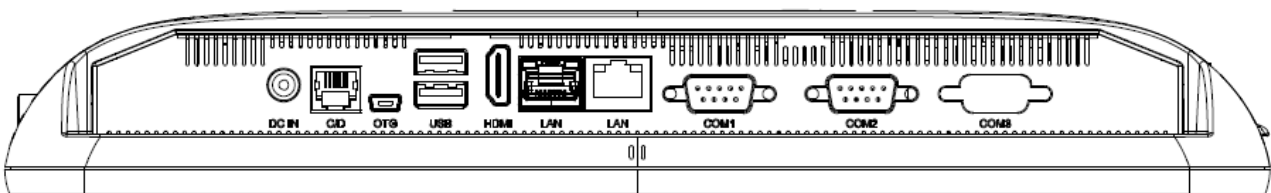
Rity8R



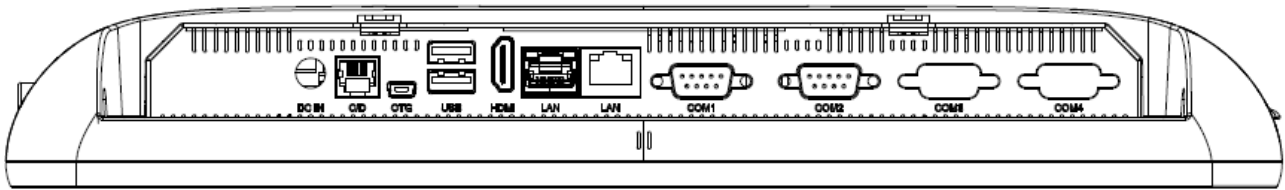
Rity10R



Rity12R



Rity15R

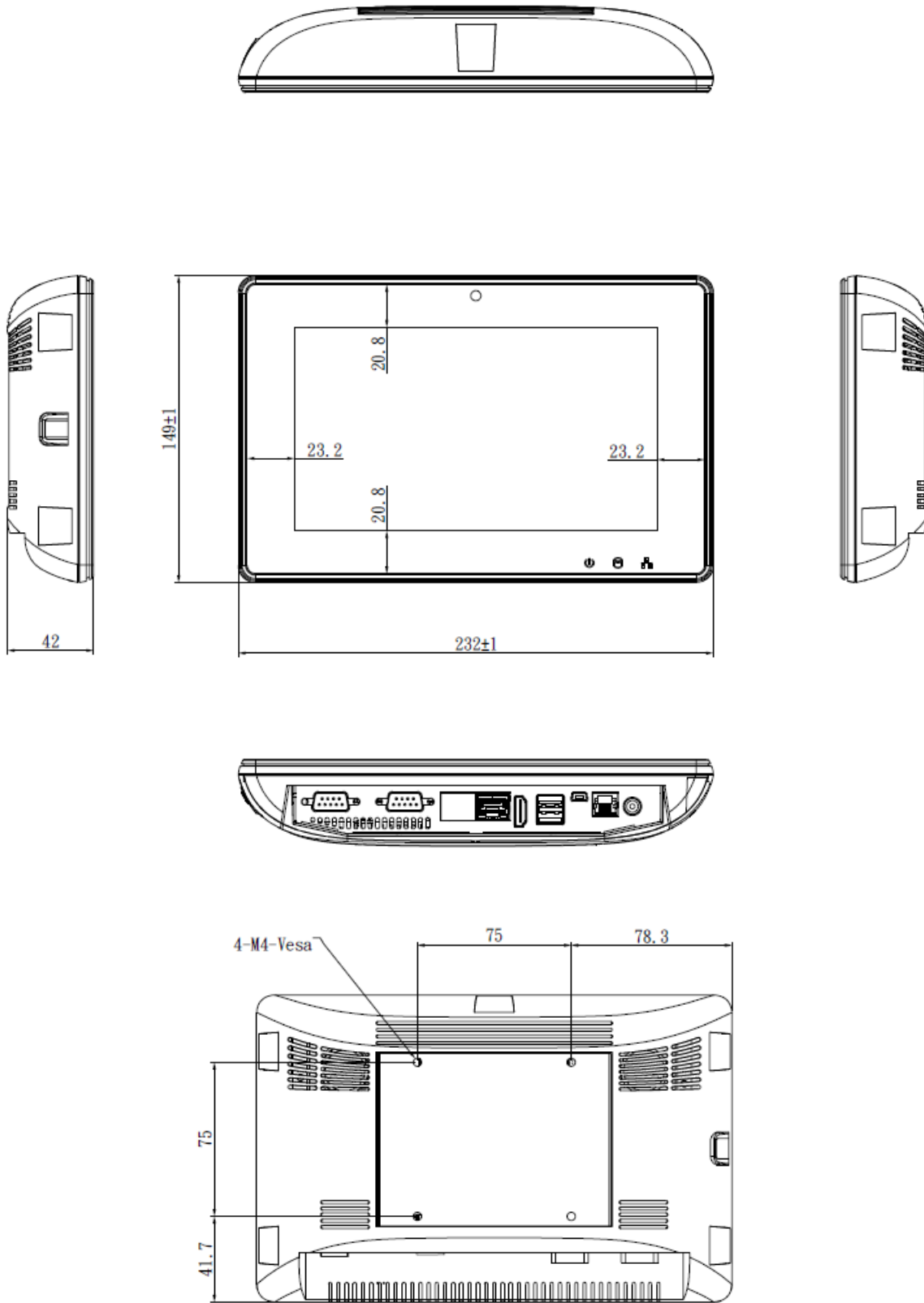


Connectors

Label	Function	Note
DC-IN	DC Power-in connector	
C/D	Cash Drawer connector	
USB	2 x USB2.0 connectors	
OTG	Mini USB connector	
HDMI	HDMI connector	
LAN	2 x RJ45 connectors	
COM1/2	Serial port 1/2 connector	DB-9 male connector

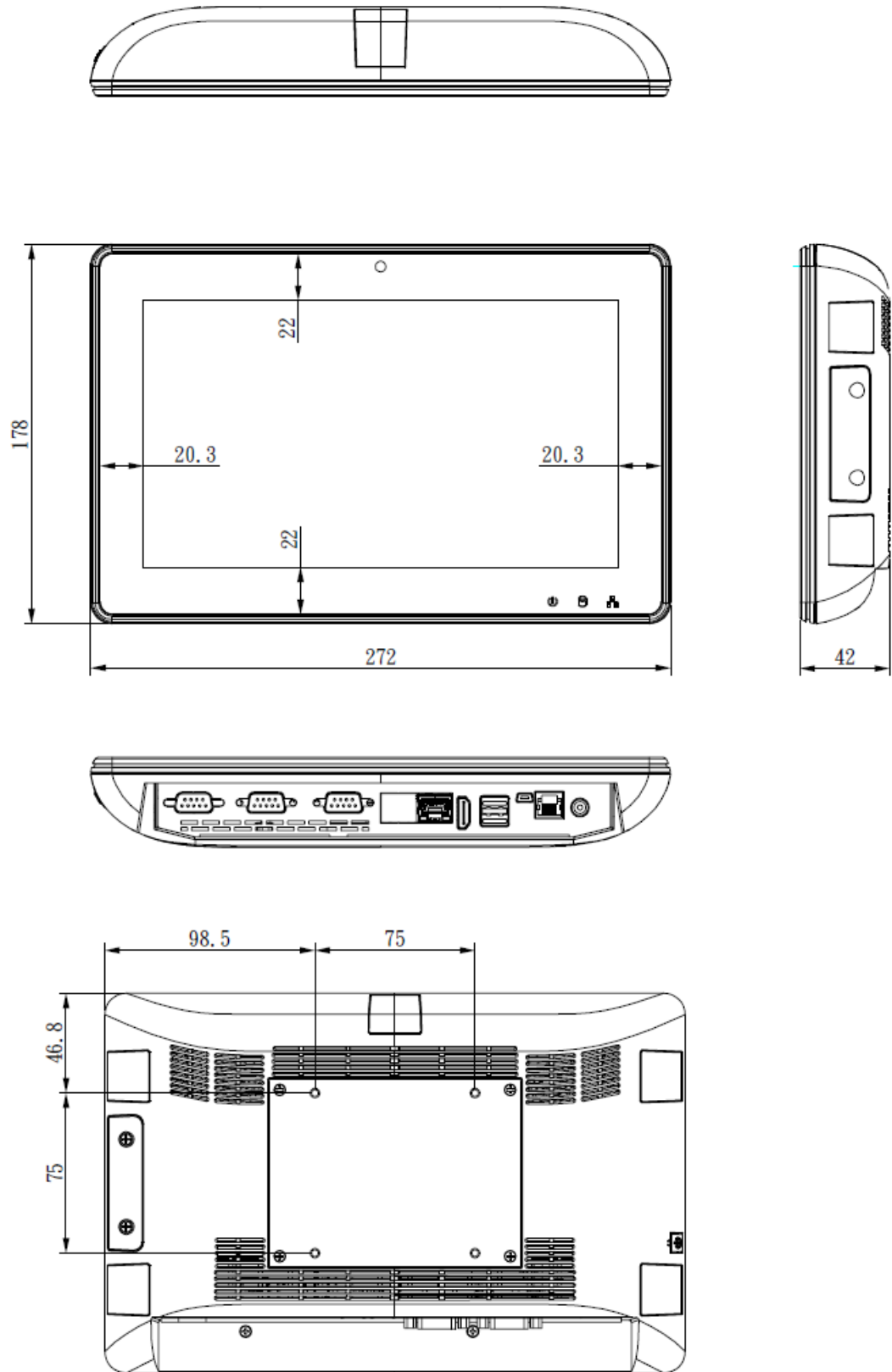
1.5 System Dimensions

1.5.1 Rity8R Front and Rear side



(Unit: mm)

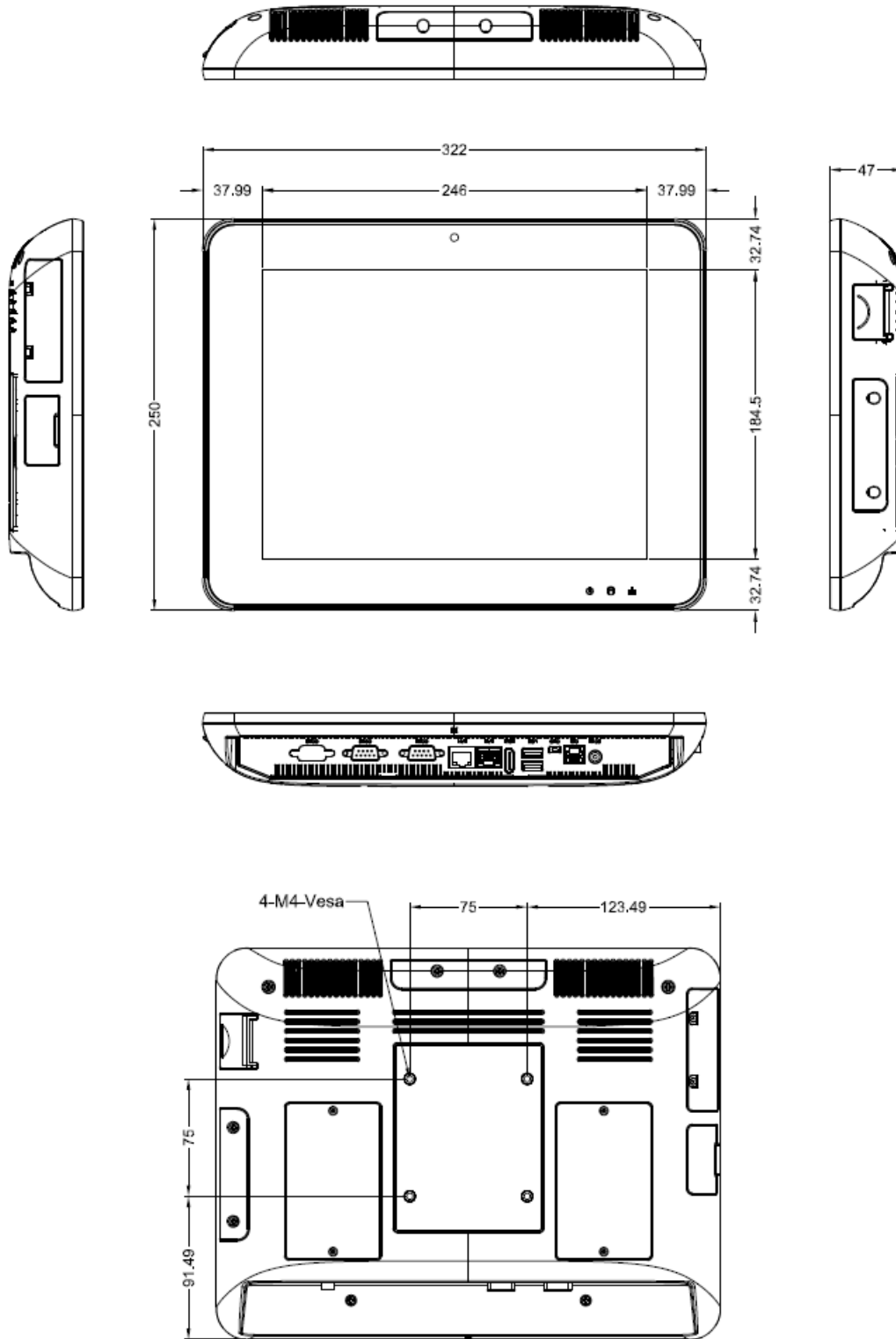
1.5.2 Rity10R Front and Rear side



(Unit: mm)

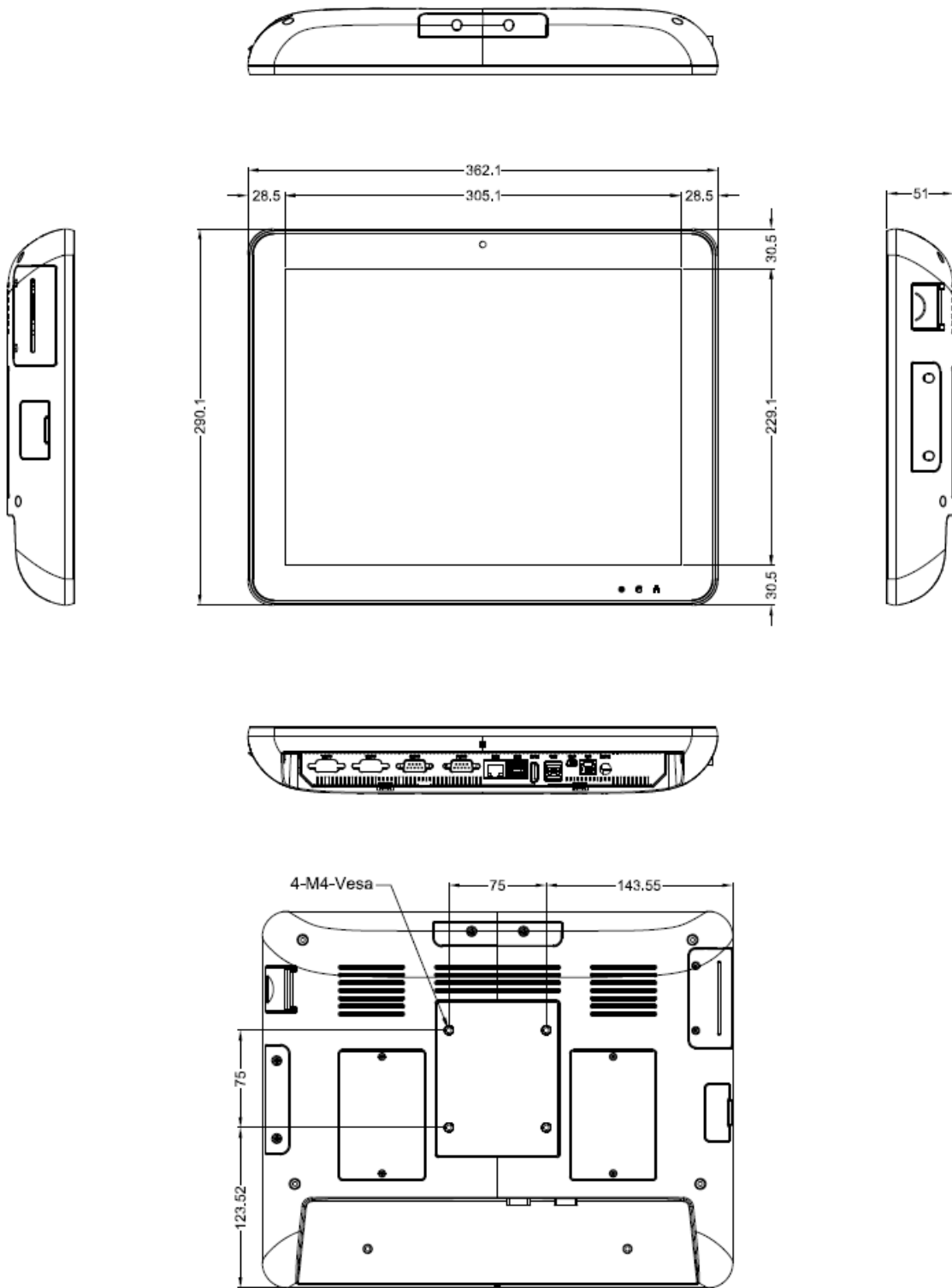
Rity8R/10R/12R/15R Series

1.5.3 Rity12R Front and Rear side



(Unit: mm)

1.5.4 Rity15R Front and Rear side



(Unit: mm)

2. Hardware Configuration

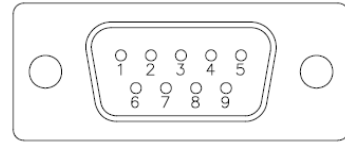
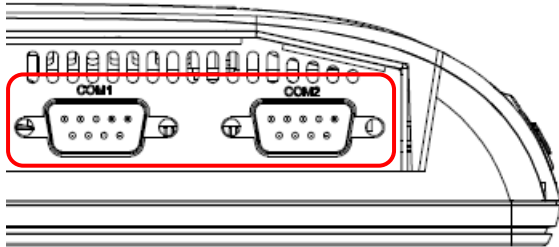


Note: If you need more information, please visit our website:

<http://www.avalue.com.tw>

2.1 Rity8R/10R/12R/15R Series connector mapping

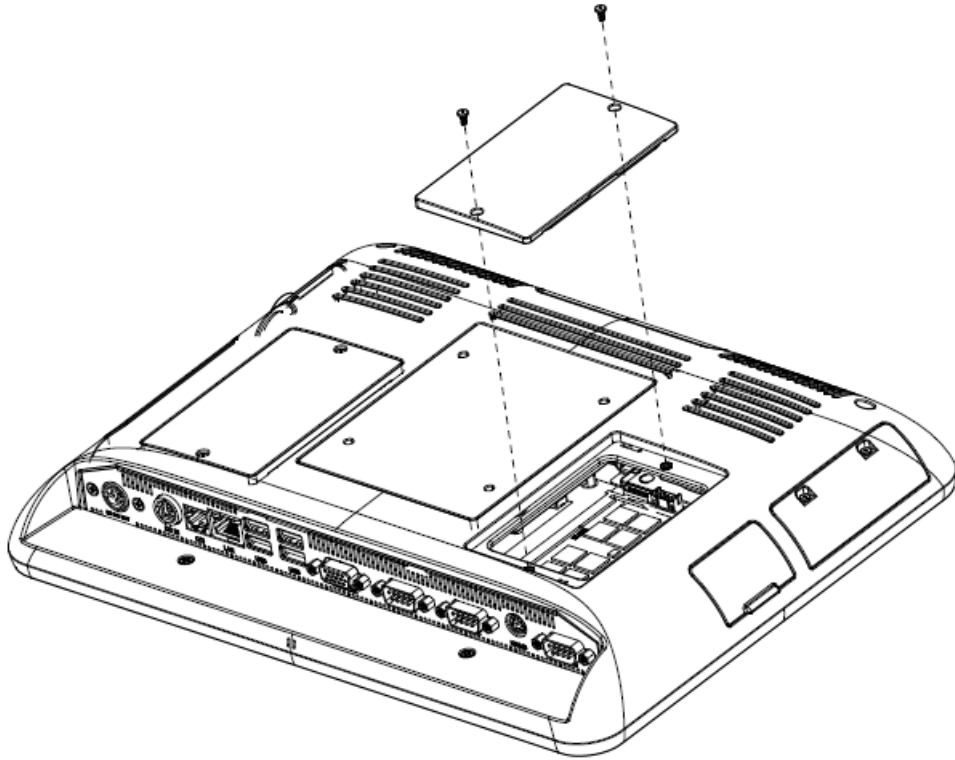
2.1.1 Serial port 1/2 connector (COM1/2)



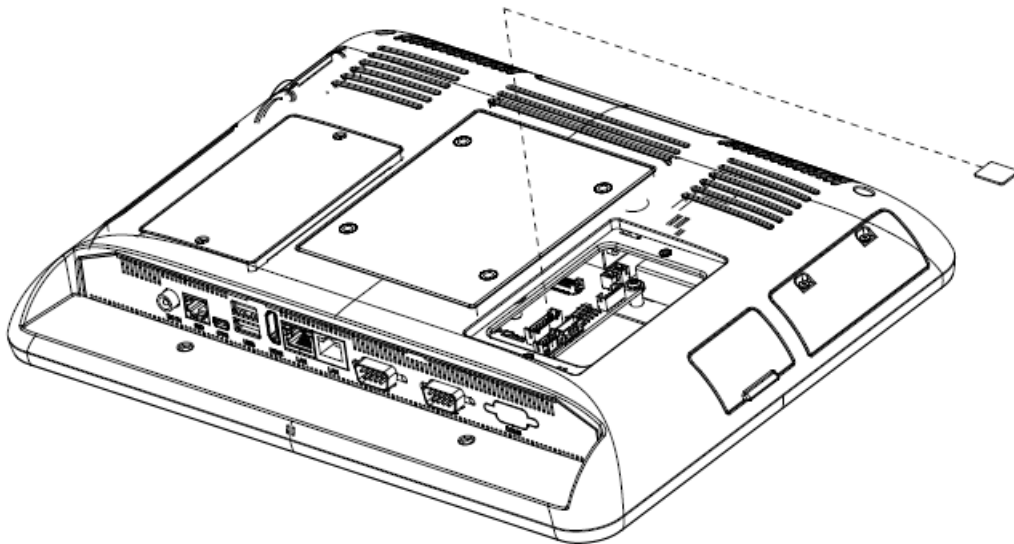
Signal	PIN	PIN	Signal
DCD	1	6	DSR
RXD	2	7	RTS
TXD	3	8	CTS
DTR	4	9	RI
GND	5		

2.2 Installing Memory & Mini PCI-e device

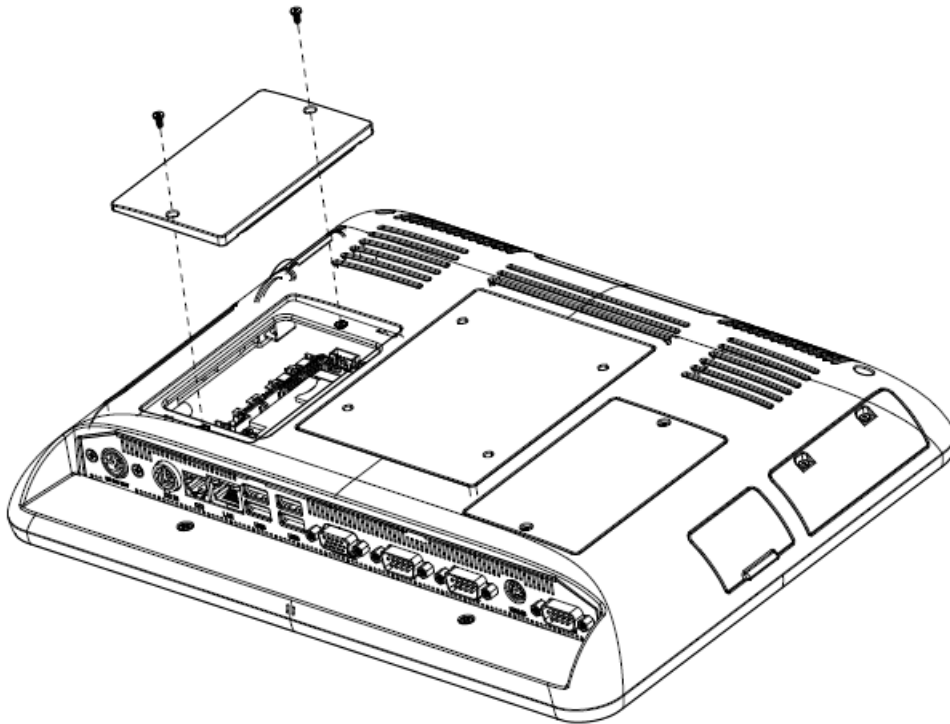
Step 1. Unfasten 2 screws from the case. Then take off the top chassis.



Step 2. Insert the SIM card into the socket.



Step 3. Unfasten 2 screws from the case. Then take off the top chassis.



Step 4. Insert the Mini PCI-e device into the socket and fasten 2 screws.

Step 5. Re-assemble your system back through previous steps to complete the installation.

