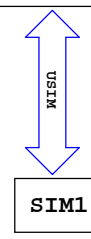
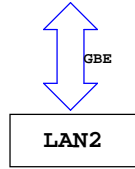
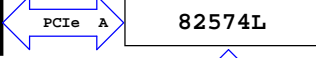
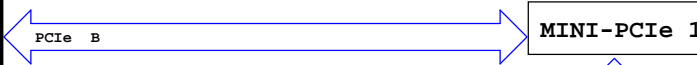
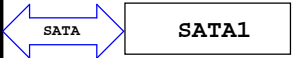
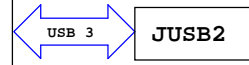
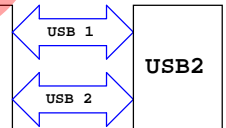
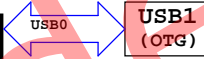
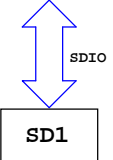
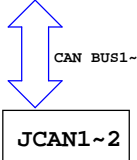
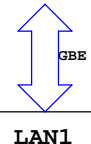
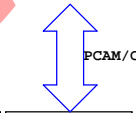
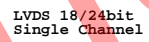
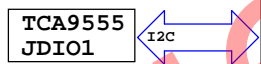
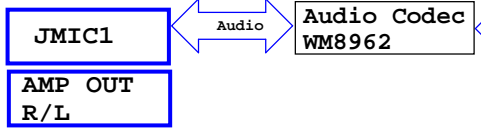
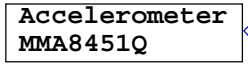
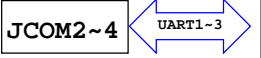
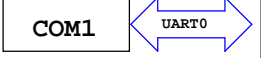
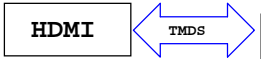
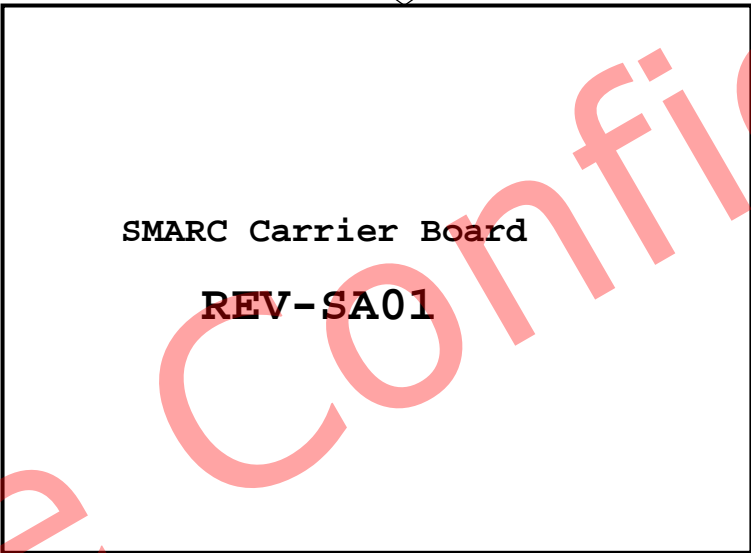
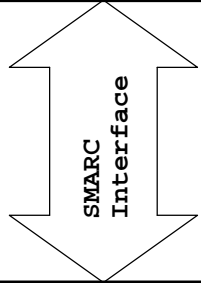
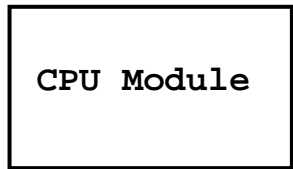


REV-SA01 A1

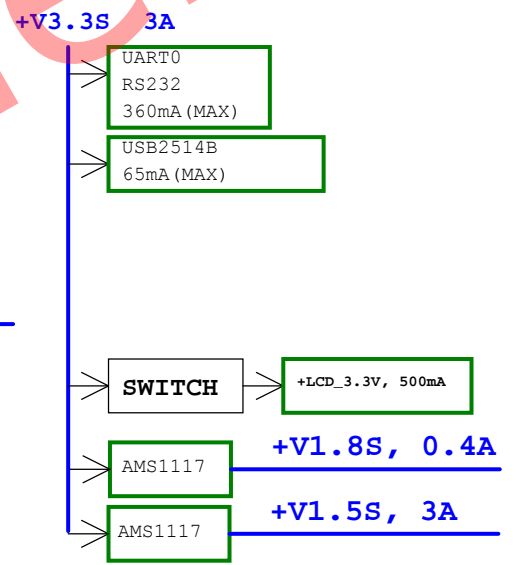
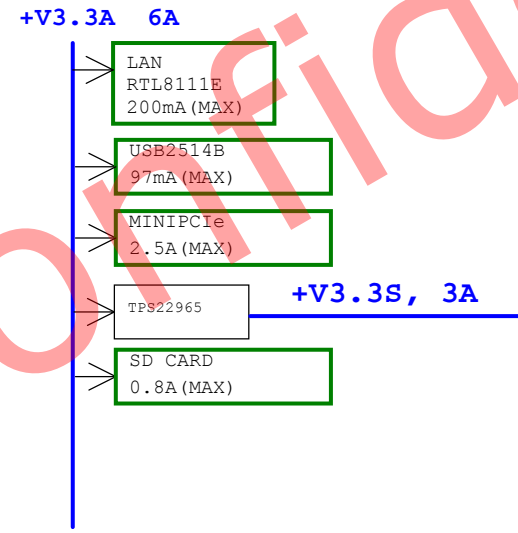
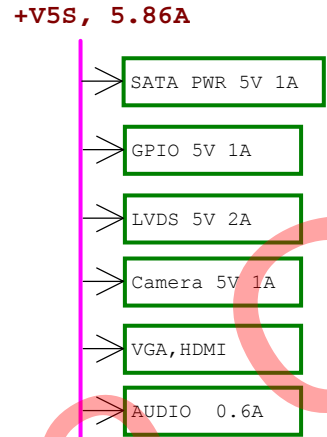
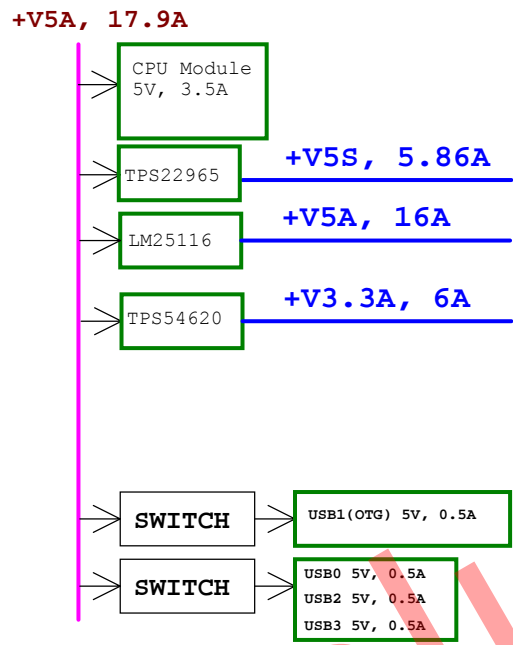
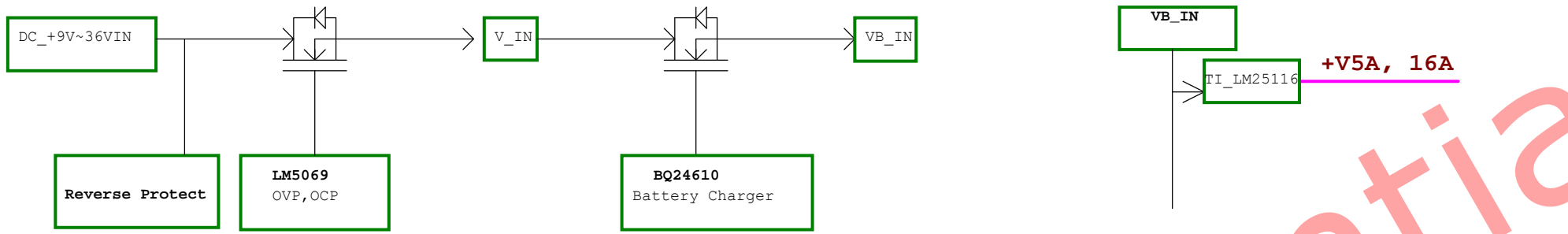
Cover Sheet:

- P01_Cover Sheet/Block Diagram
- P02_Power MAP
- P03_DC-VIN, +5V,+3.3V,+1.5V
- P04_COM_RS232
- P05_USB HUB
- P06_SATA , USB(OTG)
- P07_LAN2_82574L
- P08_SD Card , CAN
- P09_Accelerometer , MINIPcie
- P10_Audio_Codec_WM8962
- P11_HDMI,DIO
- P12_VGA_CH7055A
- P13_LVDS, LAN1
- P14_SMARC Interface
- P15_CSI
- P16_BATTERY CHARGER
- P17_History

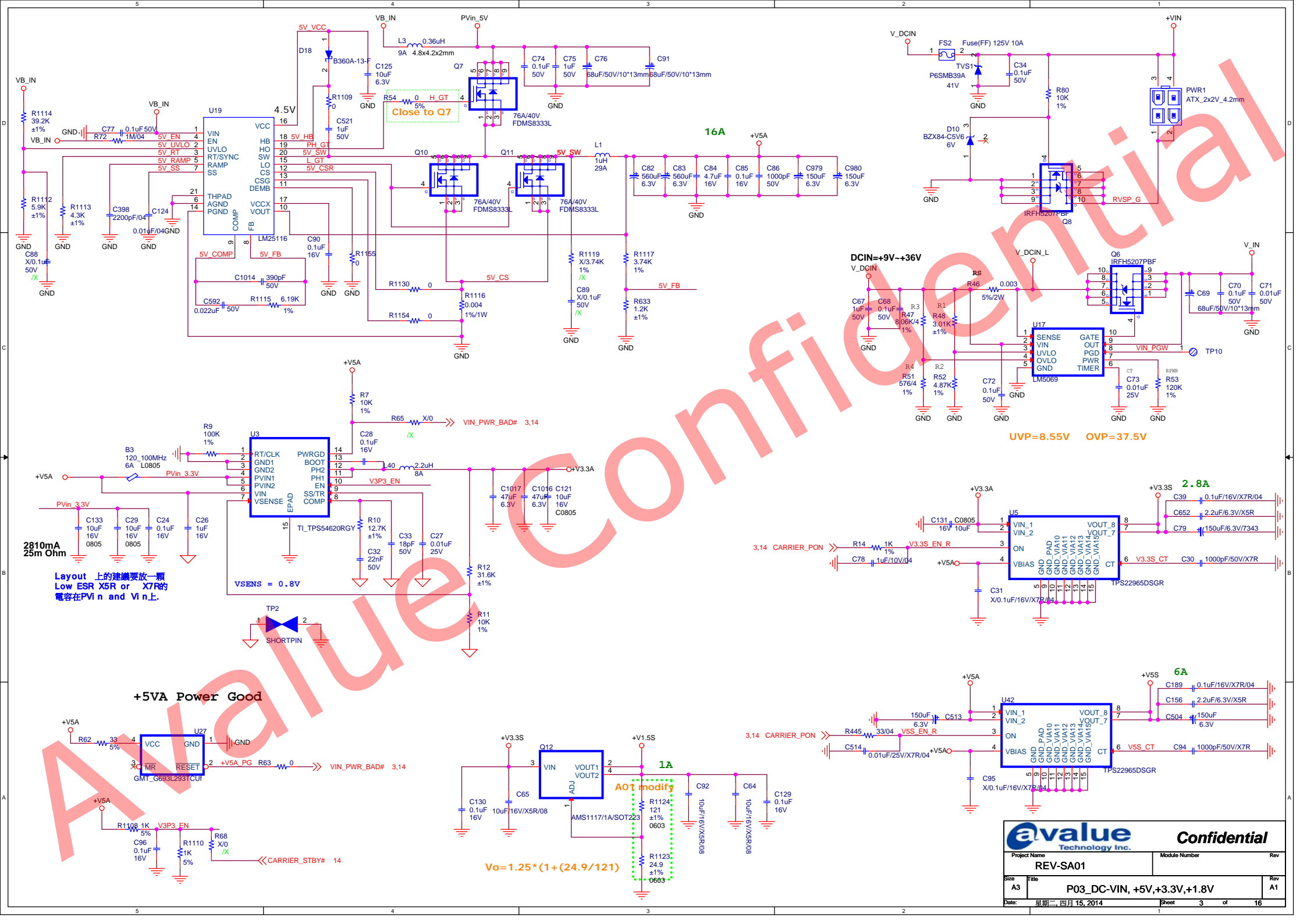


Available Confidential

avalue Technology Inc.		Confidential
Project Name REV-SA01		Module Number Rev
Size A3	Title P01_Title, TOC and Rev History	Rev A1
Date: 星期二, 四月 15, 2014		Sheet 1 of 16



Available Confidential



Close to Q7

16A

UVP=8.55V OVP=37.5V

2.8A

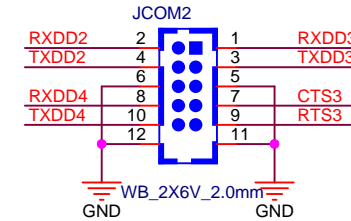
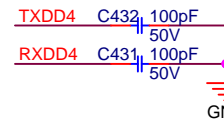
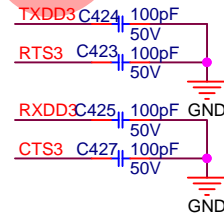
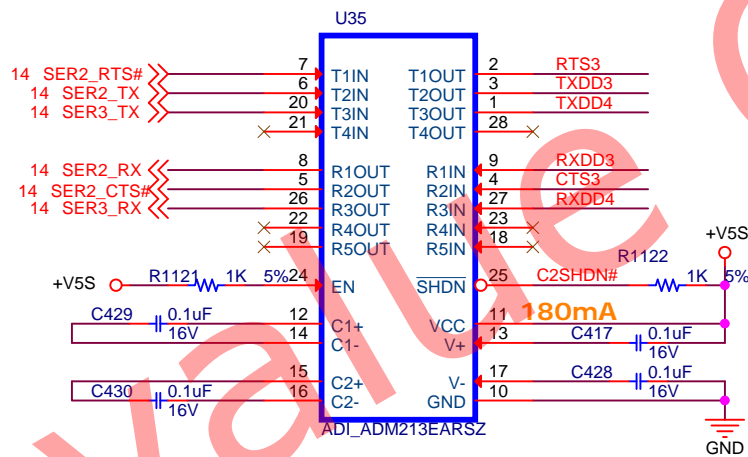
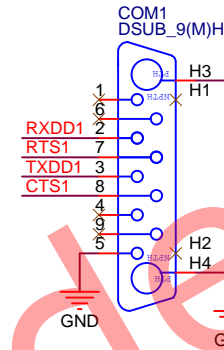
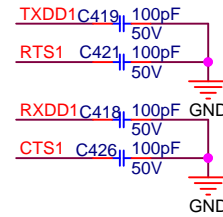
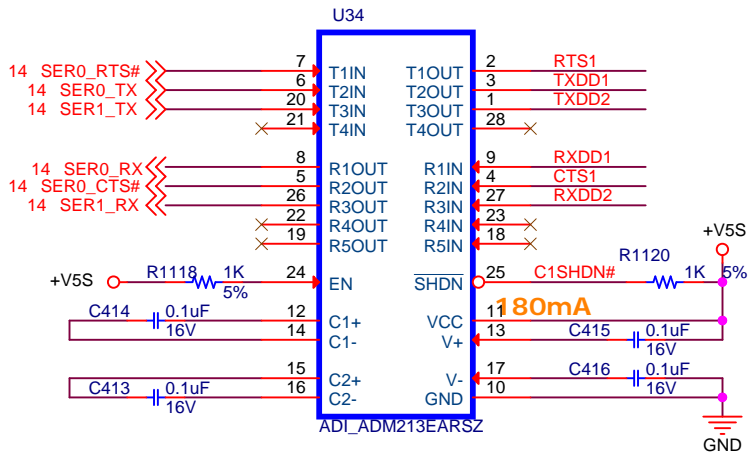
6A

Layout 上的建議要放一顆 Low ESR X5R 或 X7R 的電容在 PVI n and Vi n 上.

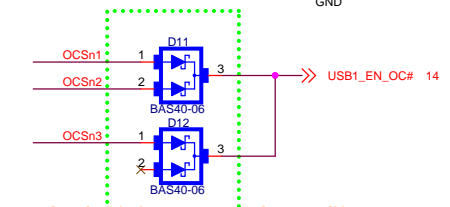
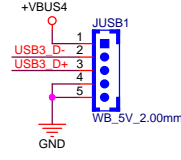
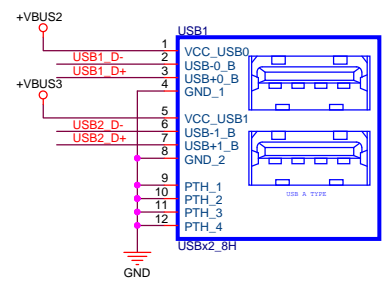
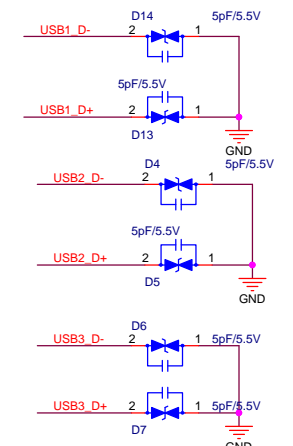
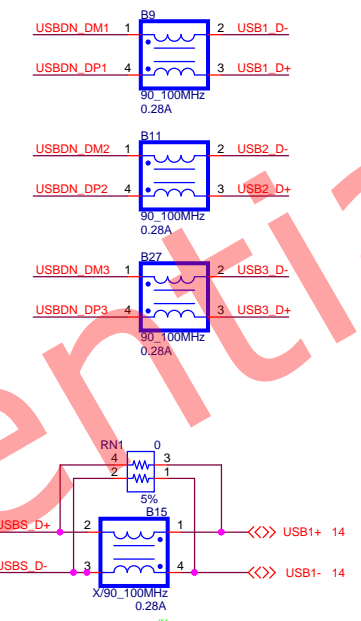
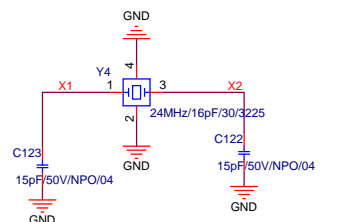
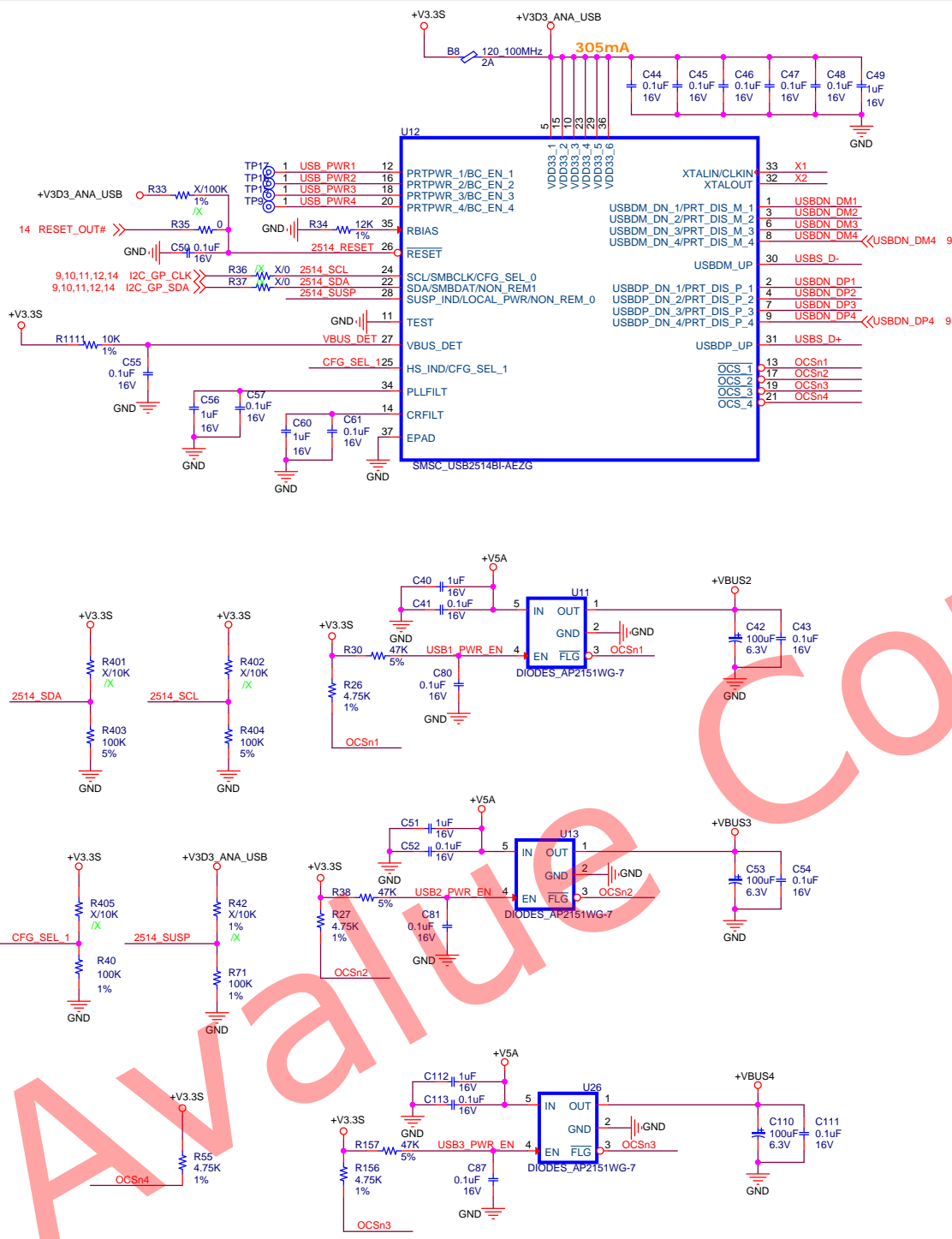
+5VA Power Good

$$V_o = 1.25 * (1 + (24.9 / 121))$$

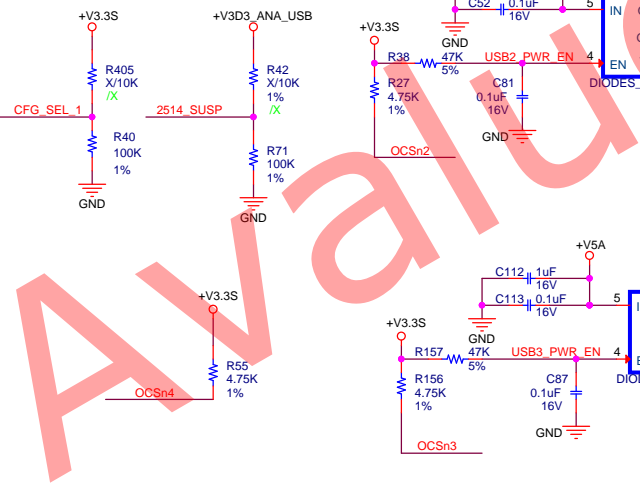
		Confidential	
Project Name	REV-SA01	Module Number	Rev
Size	A3	Title	P03_DC-VIN, +5V,+3.3V,+1.8V
Date:	星期四, 四月 15, 2014	Sheet	3 of 16

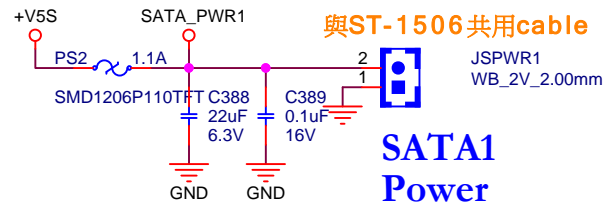
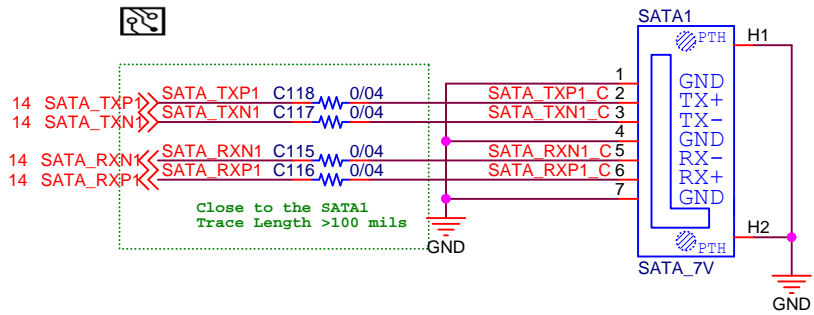


		Confidential	
Size A4	Title P04_COM_RS232	Rev A1	
Date: 星期二, 四月 15, 2014	Sheet 4	of 16	

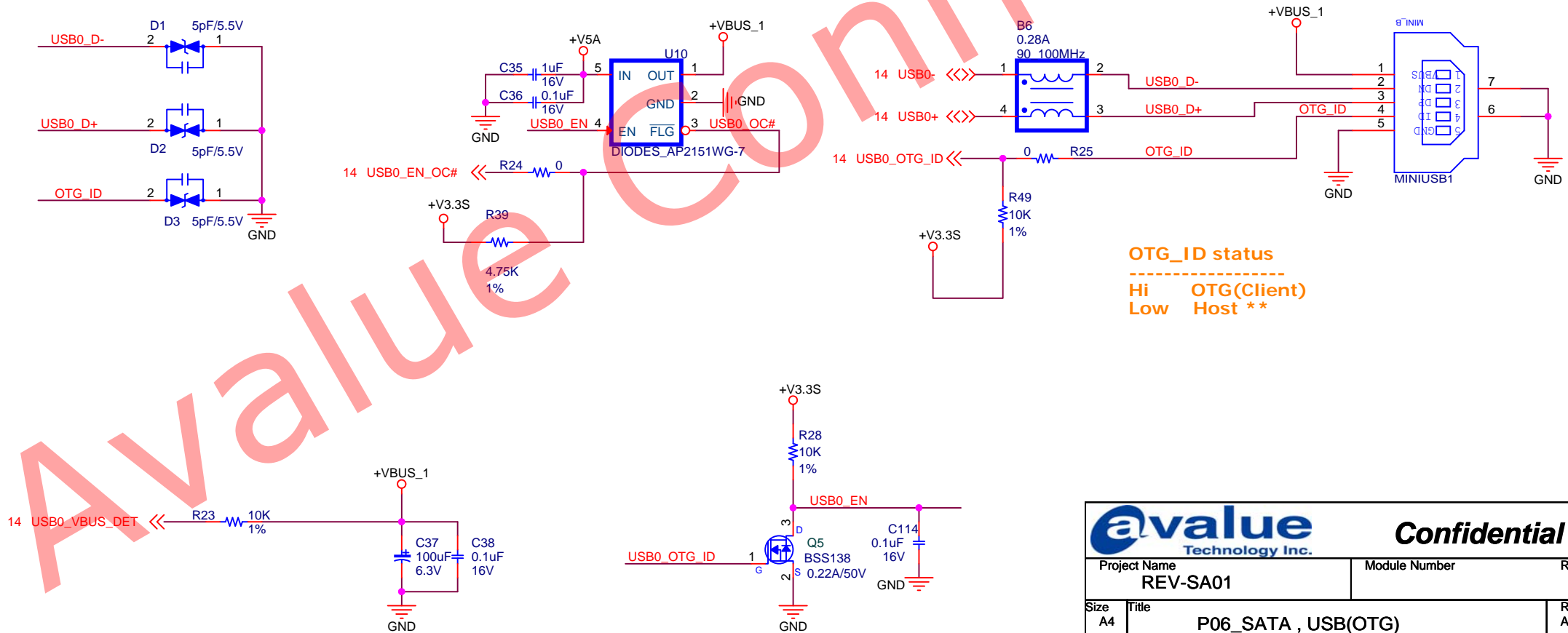


Symbol is incorrect, need to modify





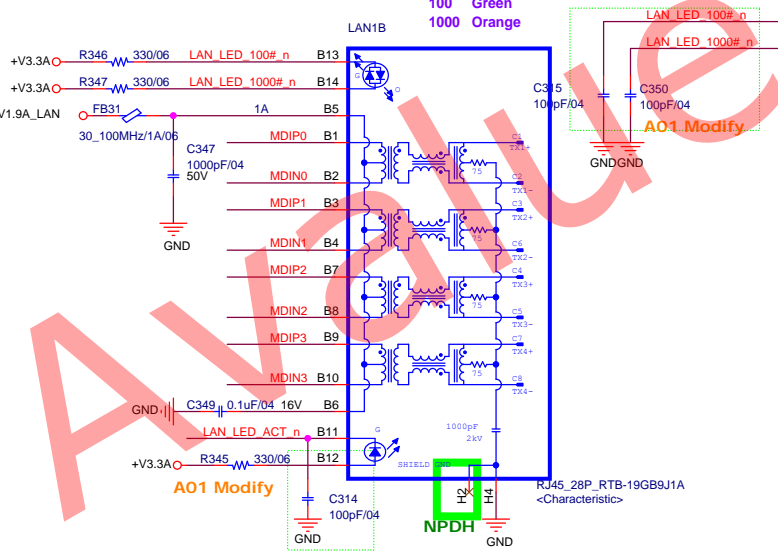
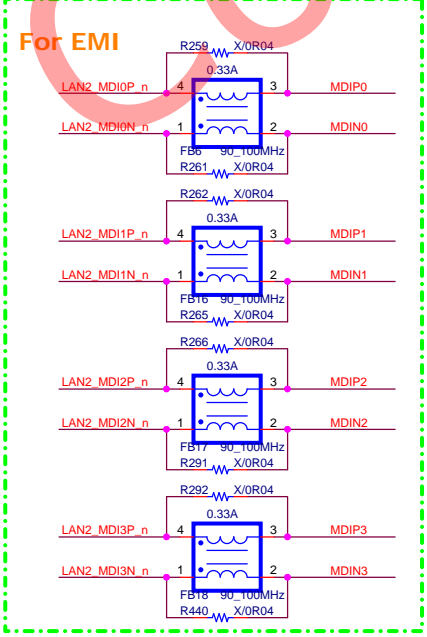
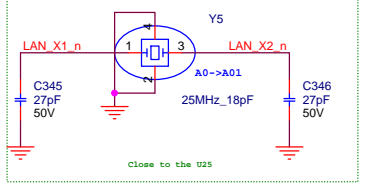
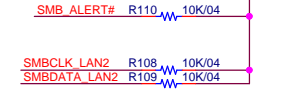
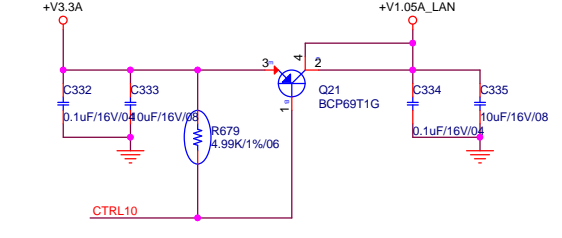
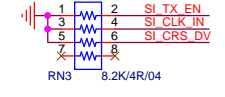
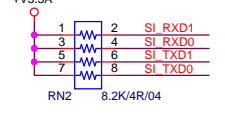
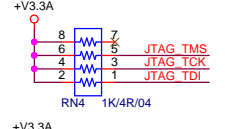
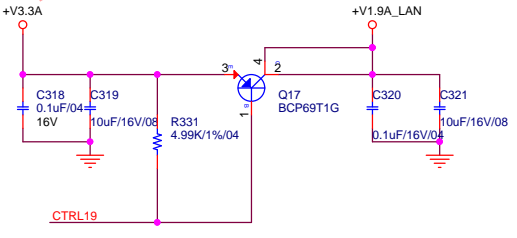
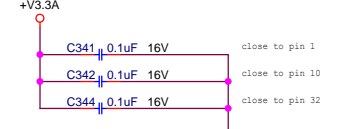
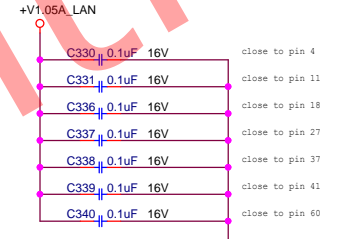
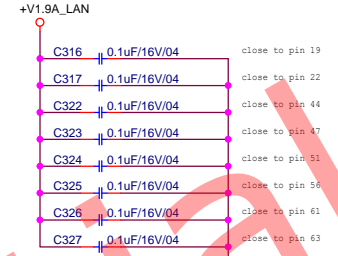
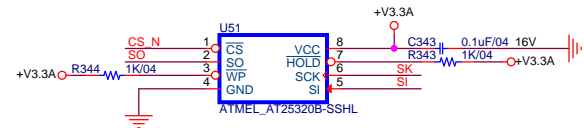
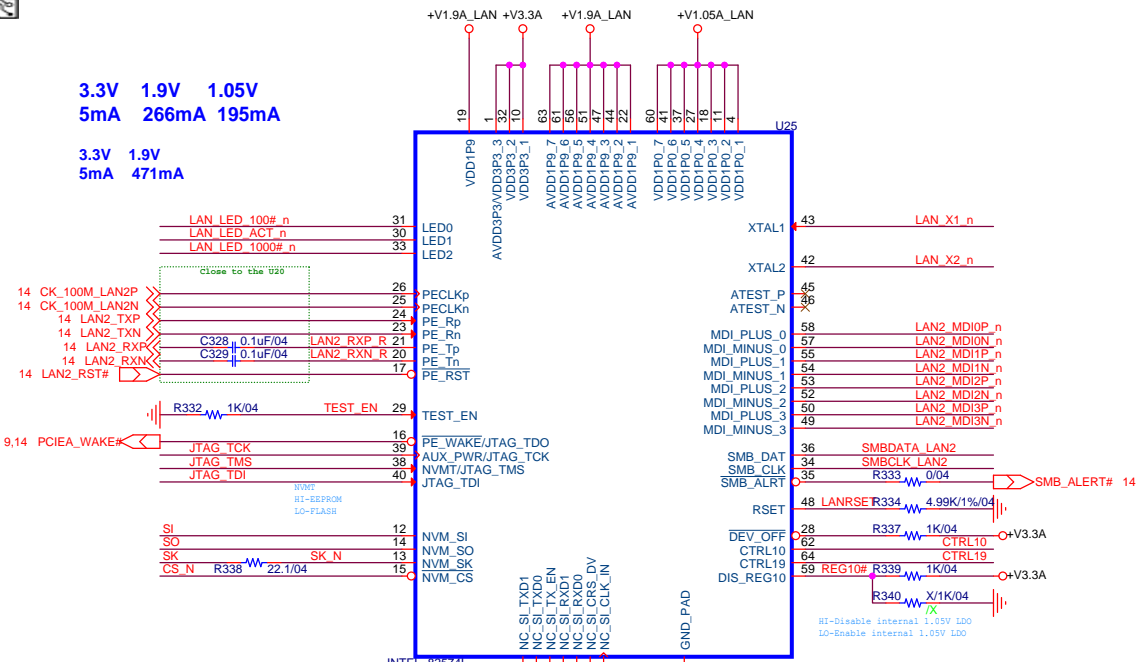
USB1 (OTG)



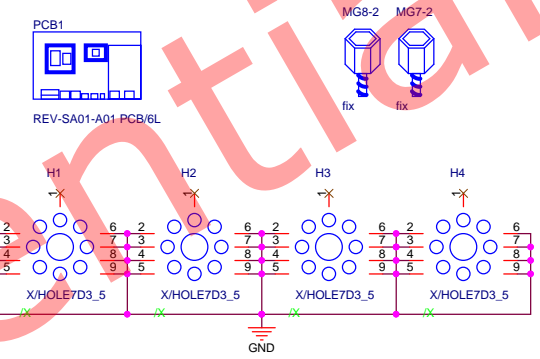
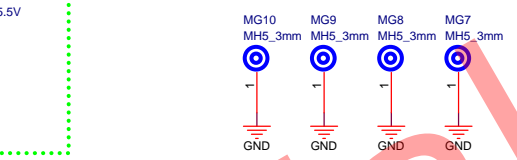
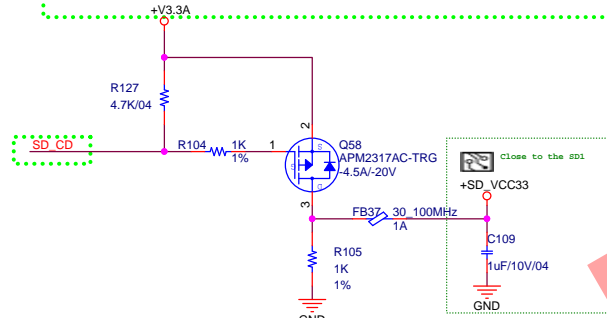
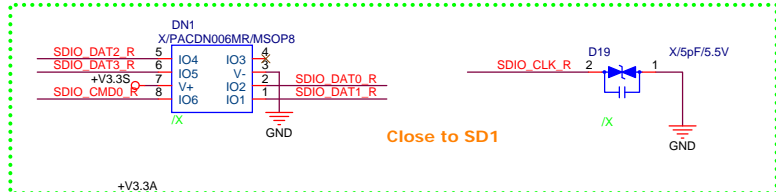
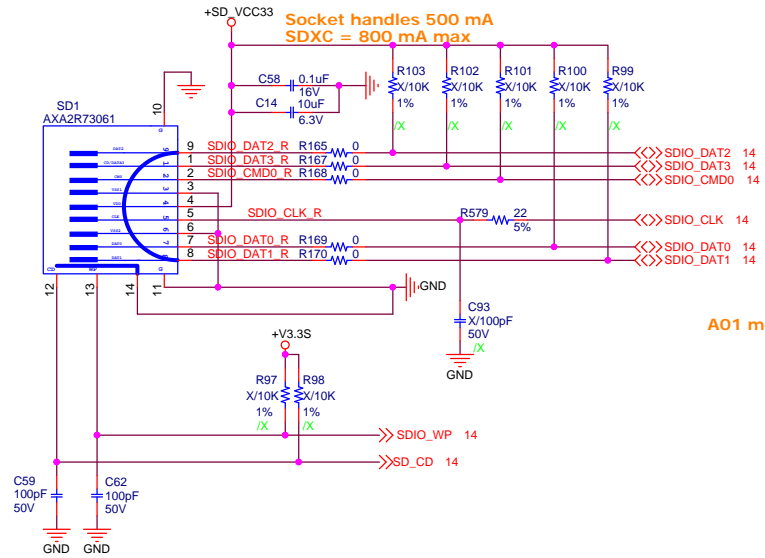
avalue Technology Inc.		Confidential	
Project Name REV-SA01		Module Number	Rev
Size A4	Title P06_SATA , USB(OTG)	Rev A1	
Date: 星期二, 四月 15, 2014	Sheet 6 of 16		

3.3V 1.9V 1.05V
5mA 266mA 195mA

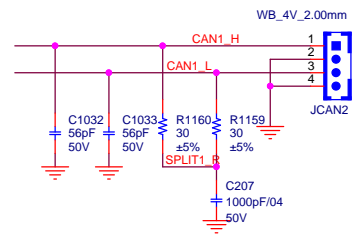
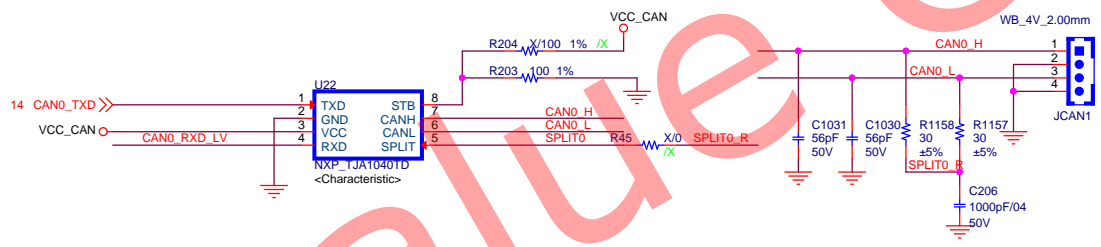
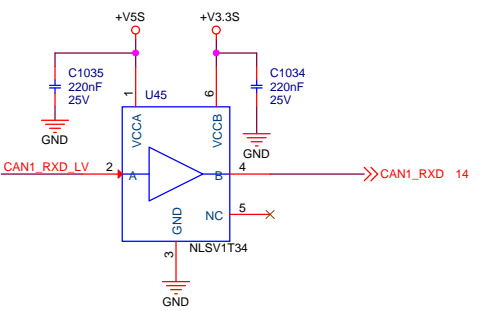
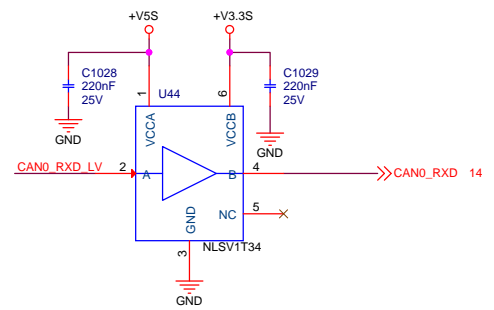
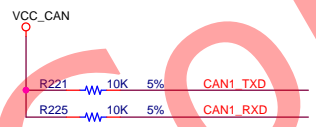
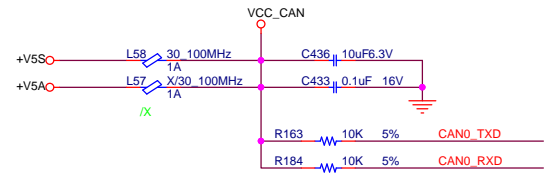
3.3V 1.9V
5mA 471mA



		Confidential	
Project Name REV-SA01		Module Number Rev	
Size A3	Title P07_LAN2_82574L	Date: 星期二, 四月 15, 2014	Sheet 7 of 16

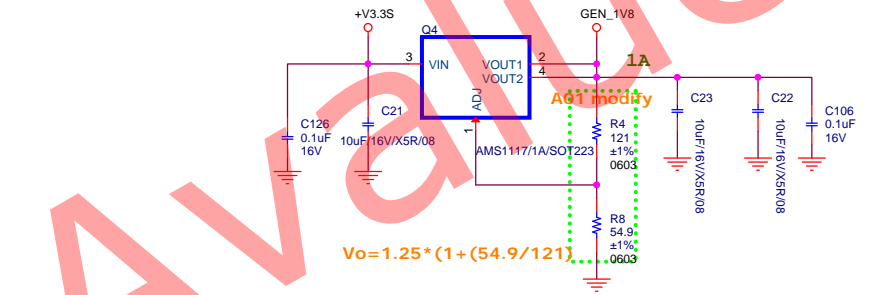
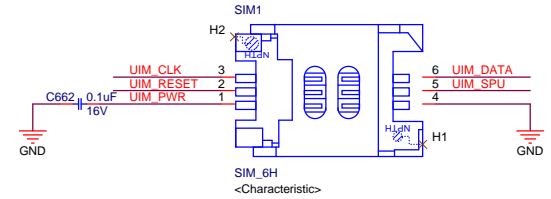
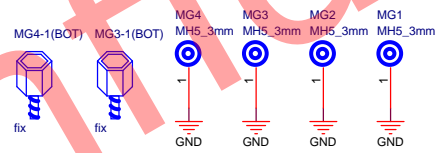
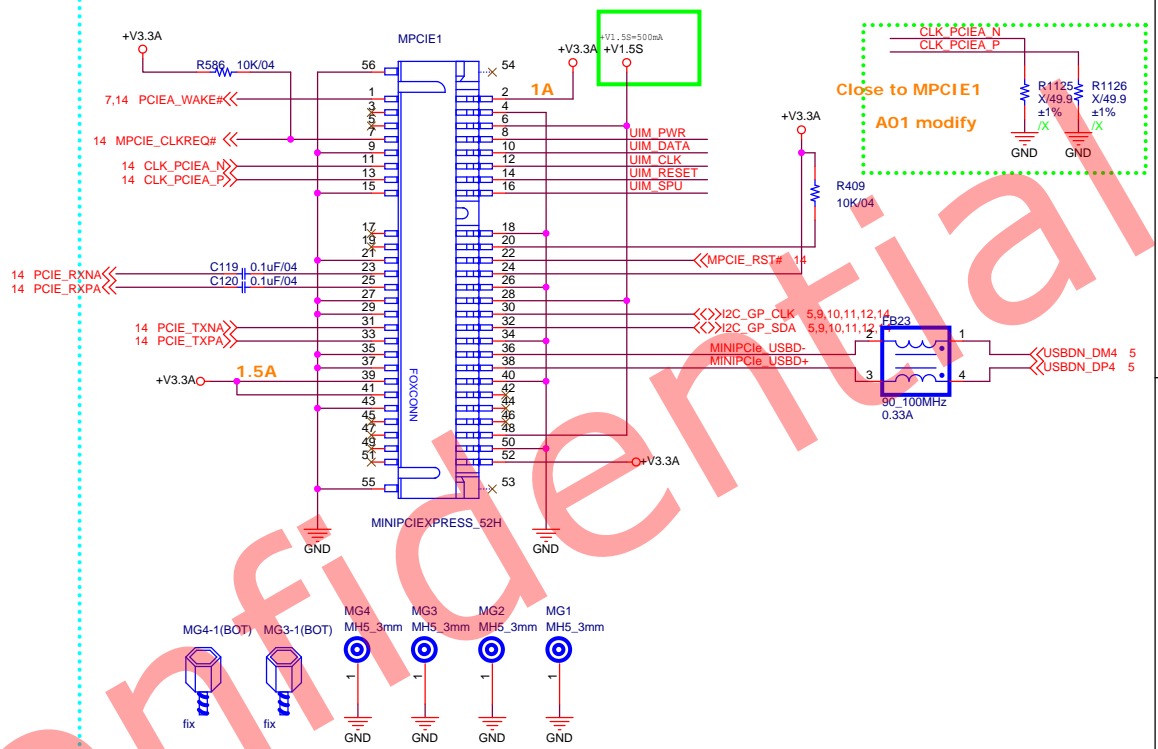
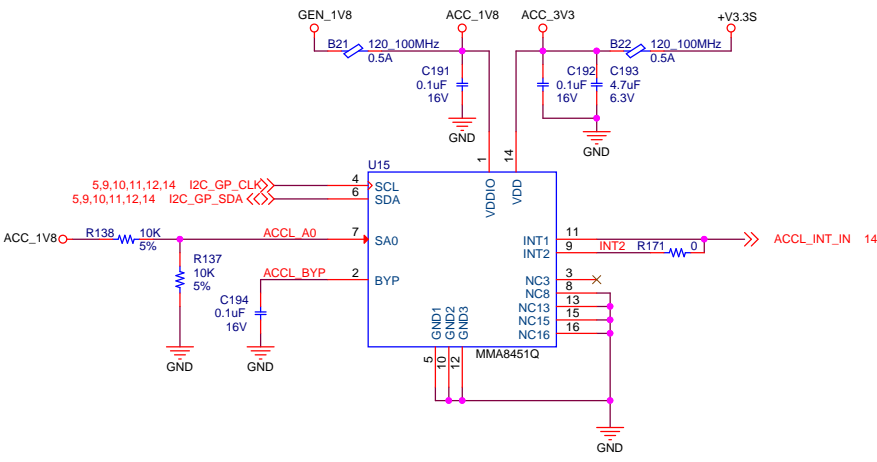


CAN

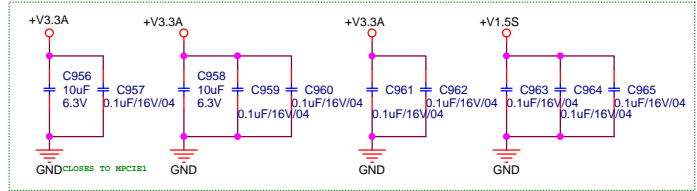


avalue Technology Inc.		Confidential	
Project Name	REV-SA01	Module Number	Rev
Size	A3	Title	P08_SD Card , CAN
Date:	星期二, 四月 15, 2014	Sheet	8 of 16

3-AXIS ACC



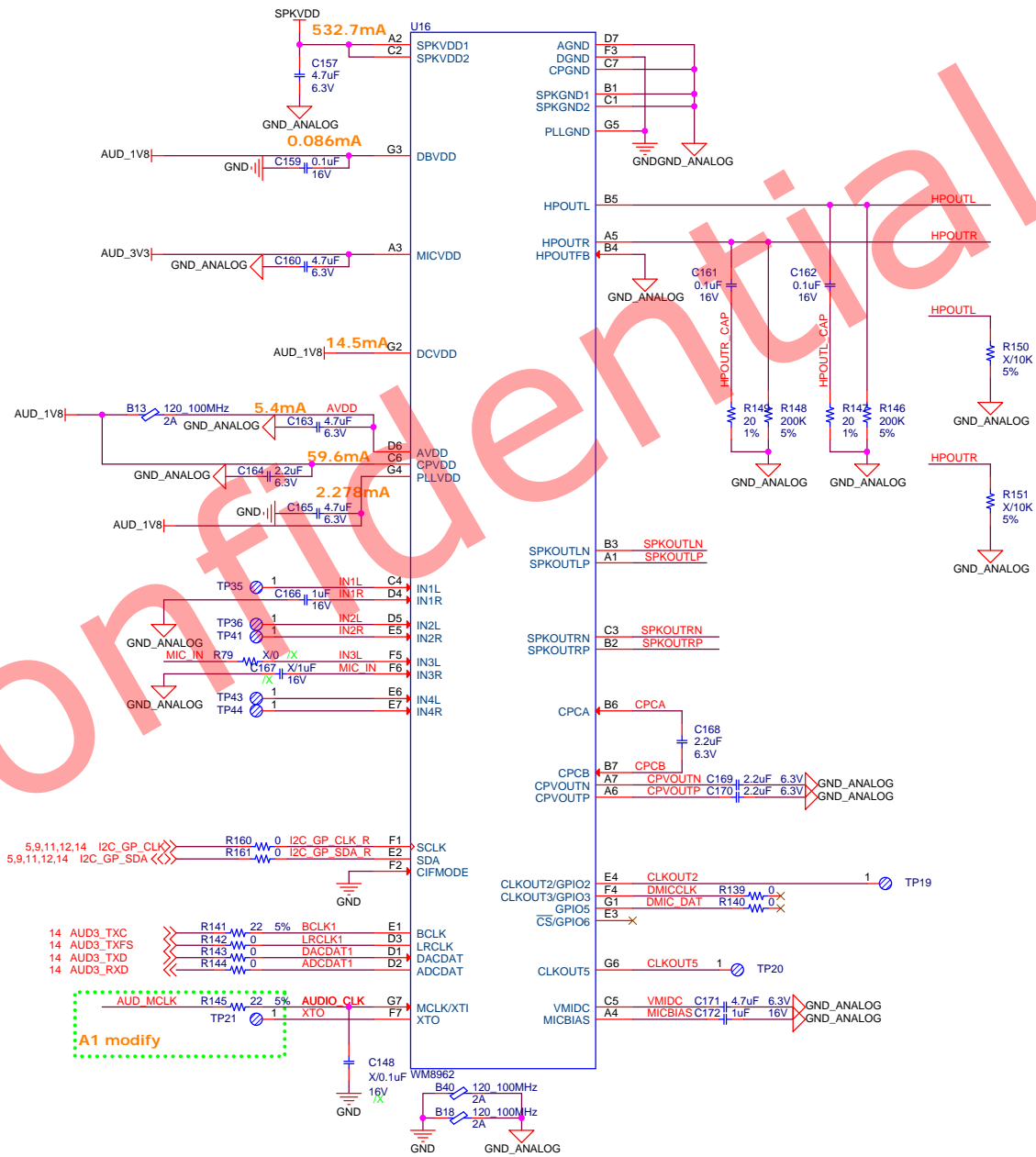
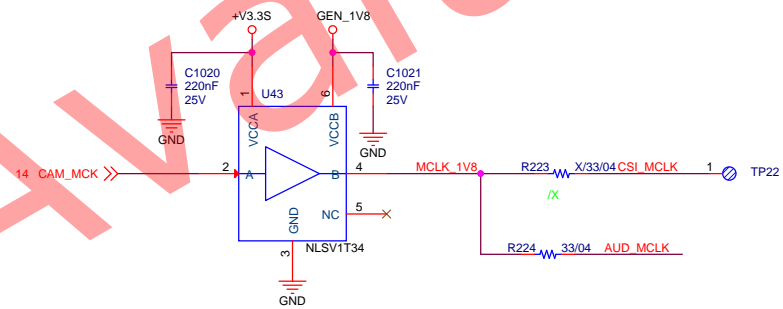
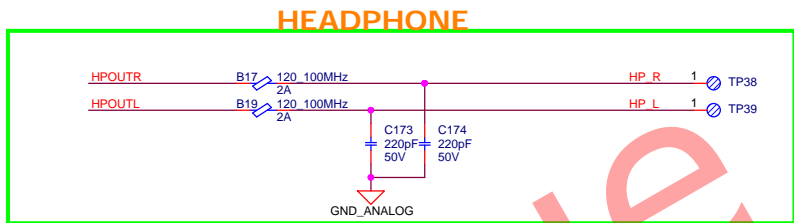
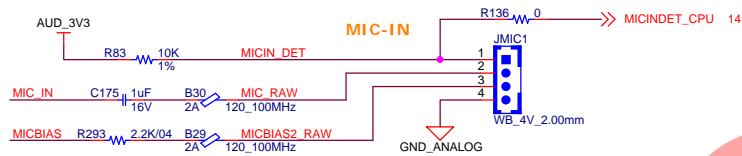
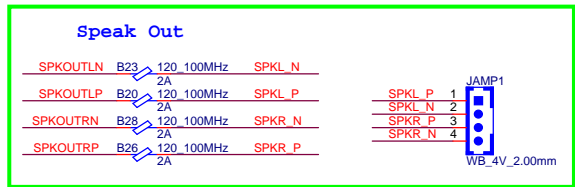
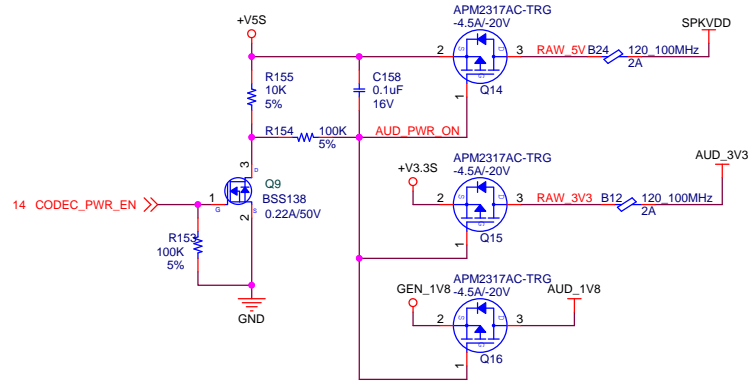
$$V_o = 1.25 * (1 + (54.9 / 121))$$



Available

Confidential

avalue Technology Inc.		Confidential	
Project Name REV-SA01		Module Number	Rev
Size A3	Title P09_Accelerometer , MINIPCIe	Rev A1	
Date: 星期二, 四月 15, 2014		Sheet 9	of 16

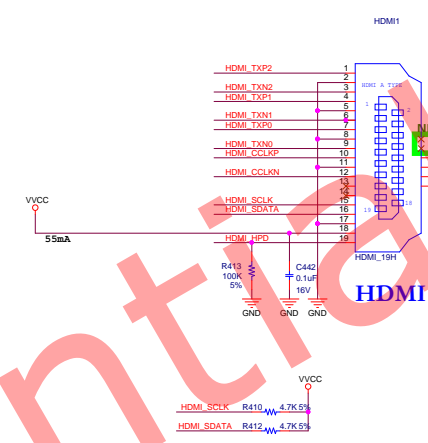
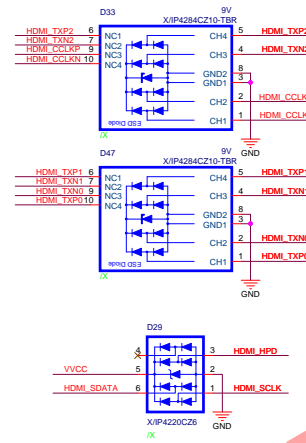
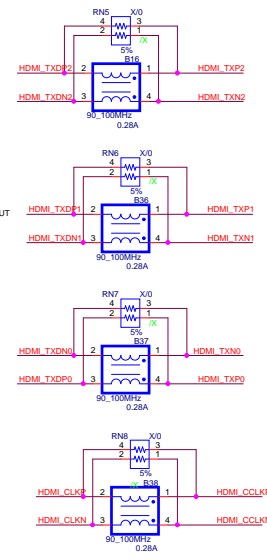
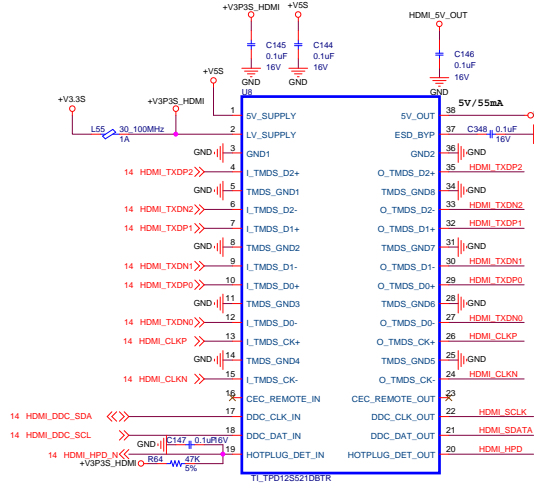


place as close as possible to AGND ball

Remove R184,R185,Y5,C127,C128

Figure 4. PCA9555 Address

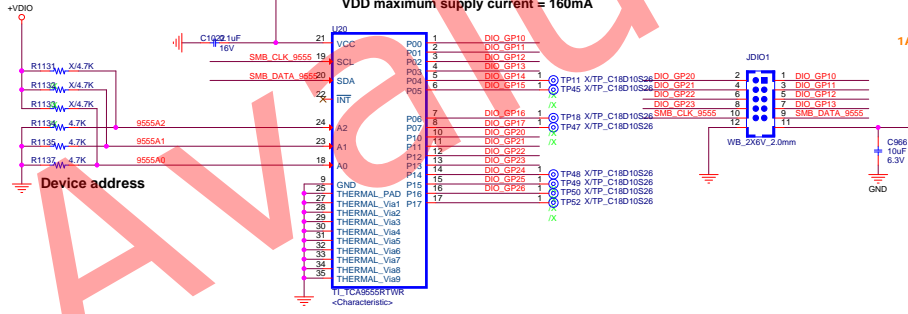
Address Reference				
INPUTS	AZ	A1	A0	I ² C BUS SLAVE ADDRESS
L	L	L	L	32 (normal, 30 (headroom))
L	L	L	H	33 (normal, 21 (headroom))
L	L	H	L	34 (normal, 22 (headroom))
L	H	L	L	34 (normal, 22 (headroom))
L	H	L	H	35 (normal, 23 (headroom))
L	H	H	L	36 (normal, 24 (headroom))
H	L	L	L	36 (normal, 24 (headroom))
H	L	L	H	37 (normal, 25 (headroom))
H	L	H	L	38 (normal, 26 (headroom))
H	L	H	H	39 (normal, 27 (headroom))



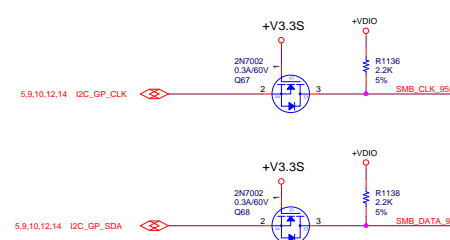
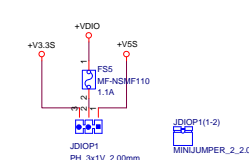
DIO

VDD supply Voltage = 1.65~ 5.5 V
 VDD connect to 5V, IO level = 0 ~ 5V
 VDD connect to 3.3V, IO level = 0 ~ 3.3V

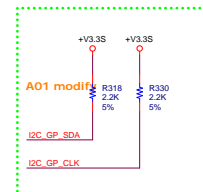
VDD maximum supply current = 160mA



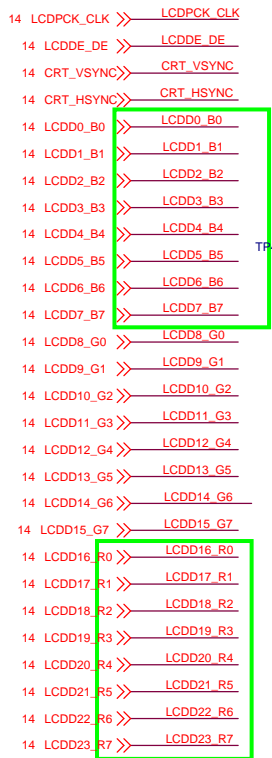
Default Setting:
 DIO_GP20-DIO_GP23=OUTPUT
 DIO_GP10-DIO_GP13=INPUT



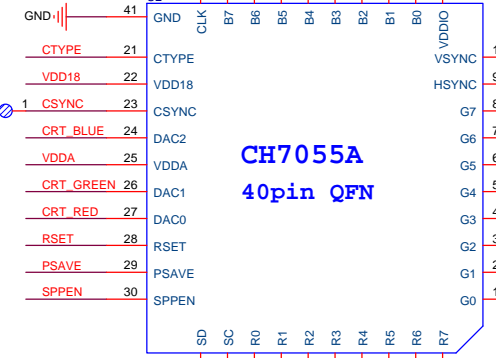
SMBUS level shift for 5V level



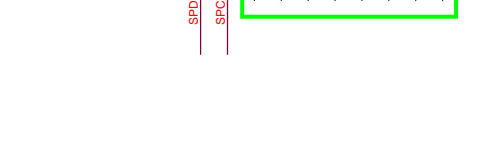
QFN 24P
 Reference Cost
 NXP: 0.85 USD
 TI: 1.26 USD



A01 MODIFY

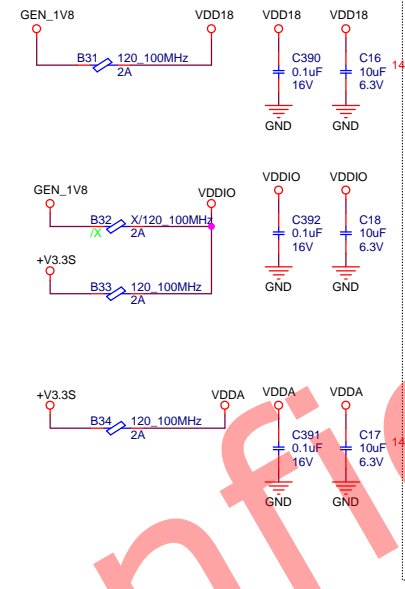


A01 MODIFY

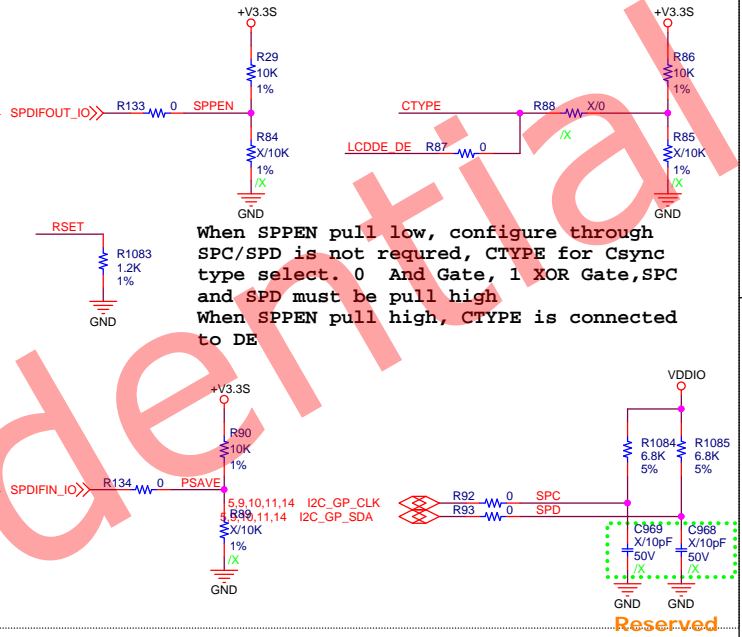


CH7055A
40pin QFN

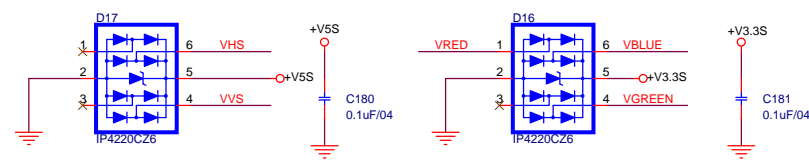
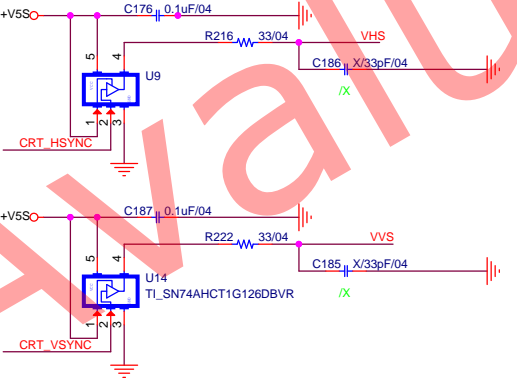
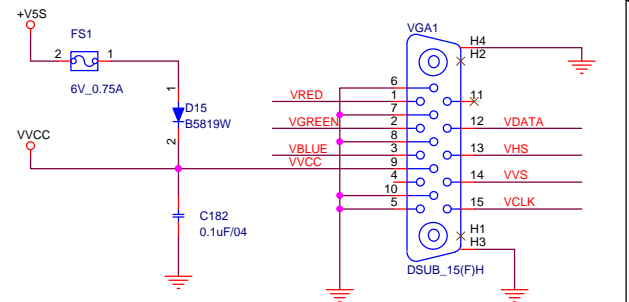
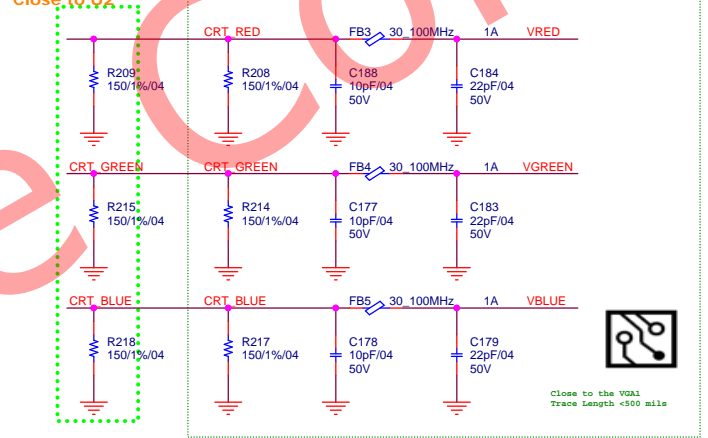
Close to power pin



Hardware and Software setting



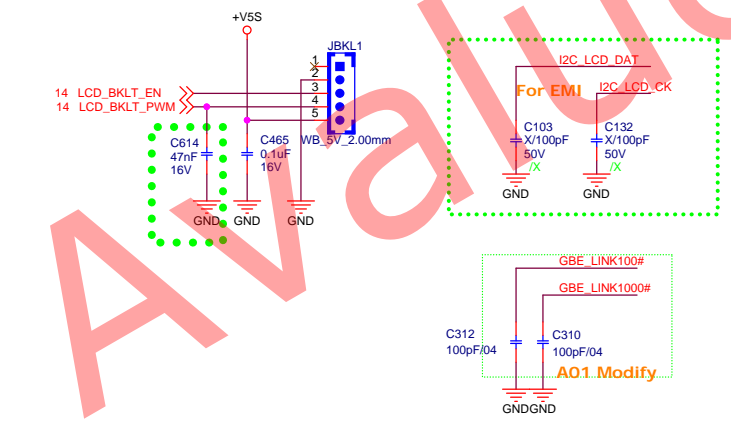
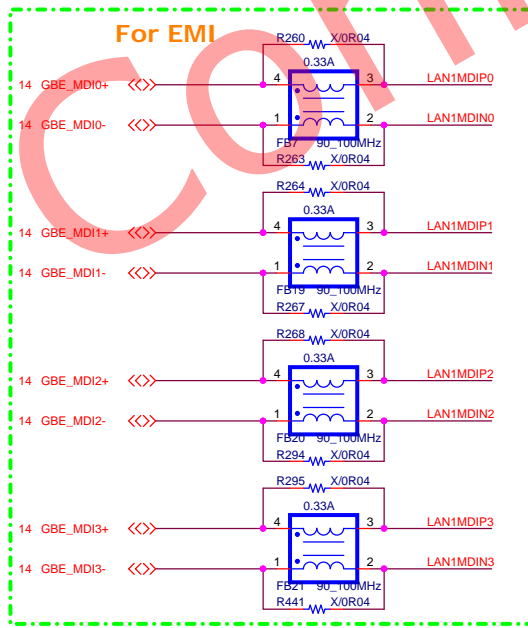
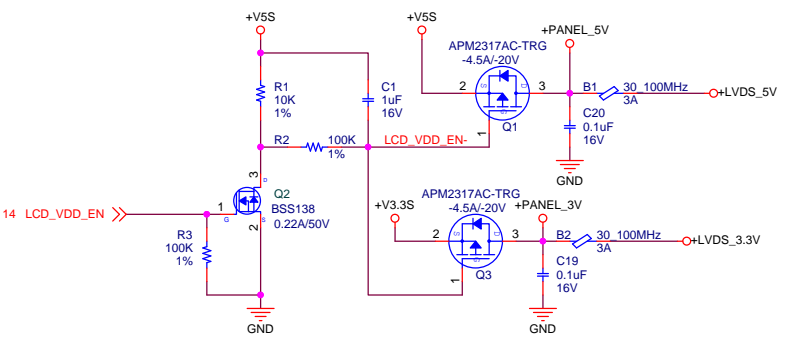
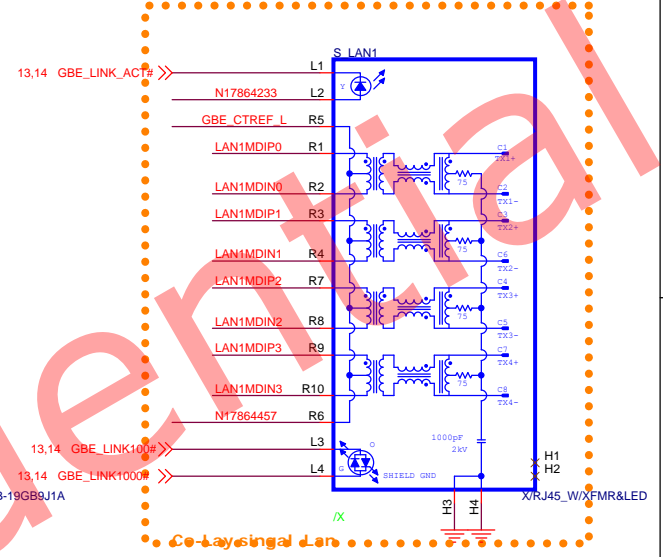
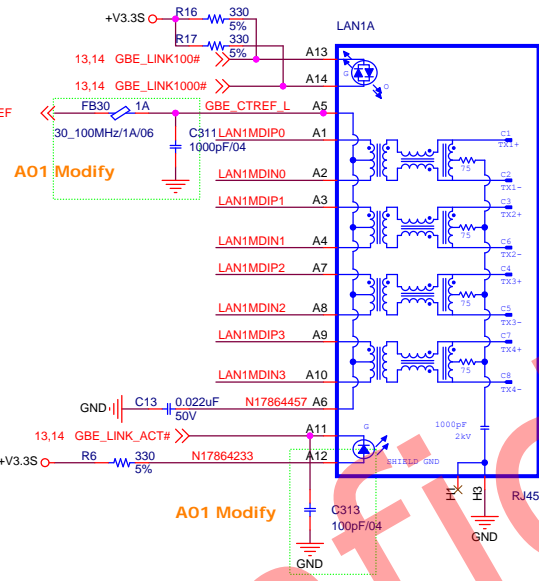
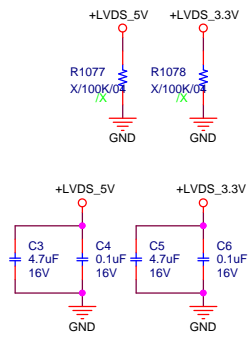
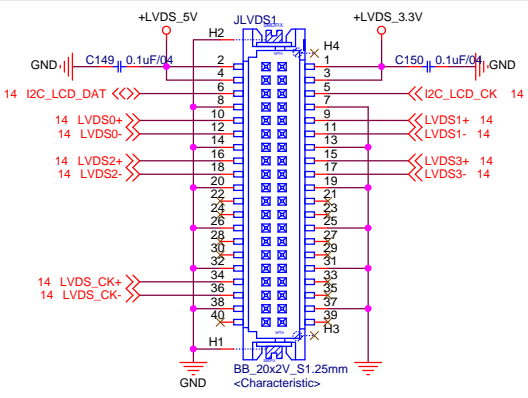
Close to U2



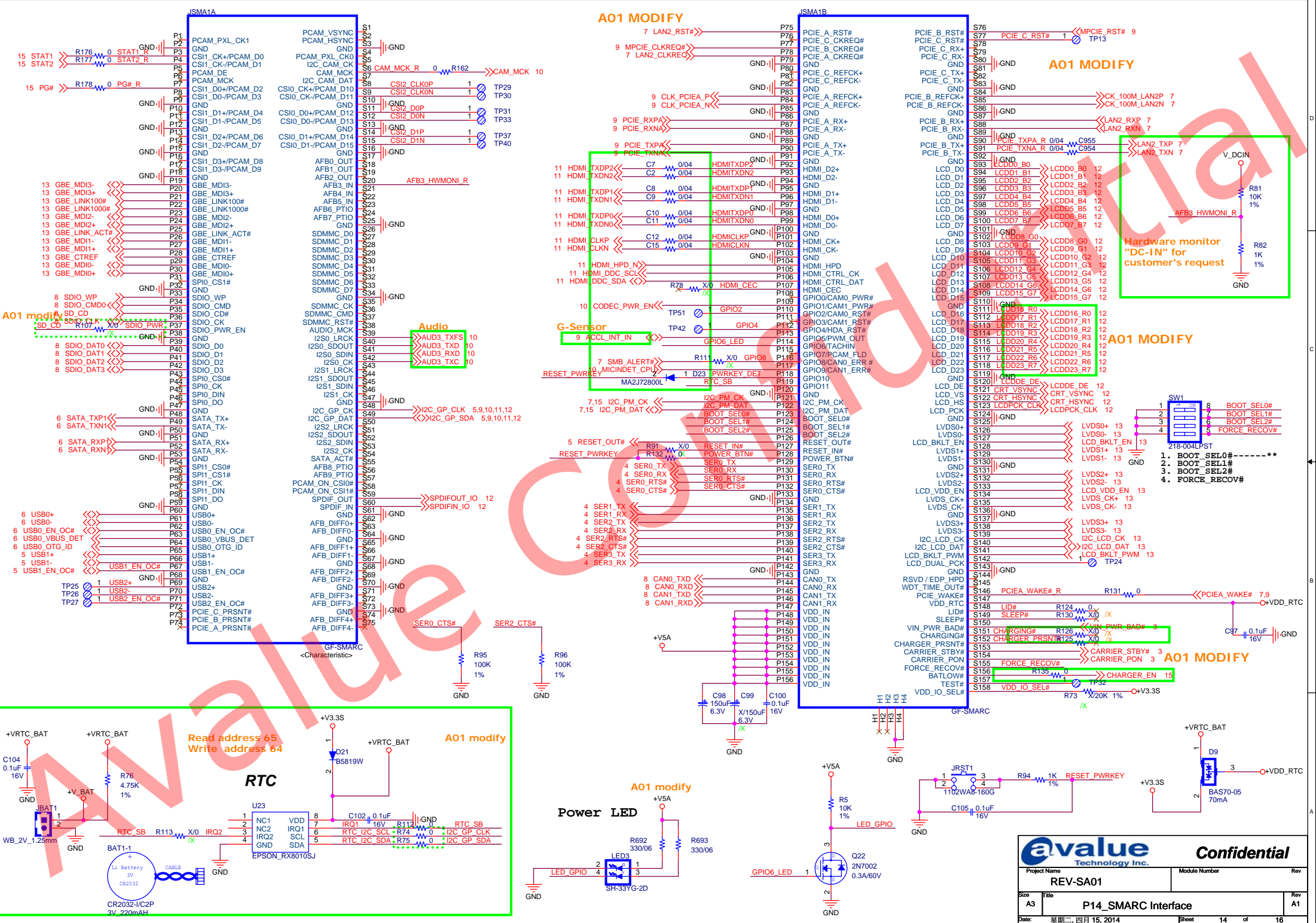
avalue Technology Inc.		Confidential	
Project Name	REV-SA01	Module Number	Rev
Size	A3	Title	P12_VGA_CH7055A
Date:	星期二, 四月 15, 2014	Sheet	12 of 16

LAN1

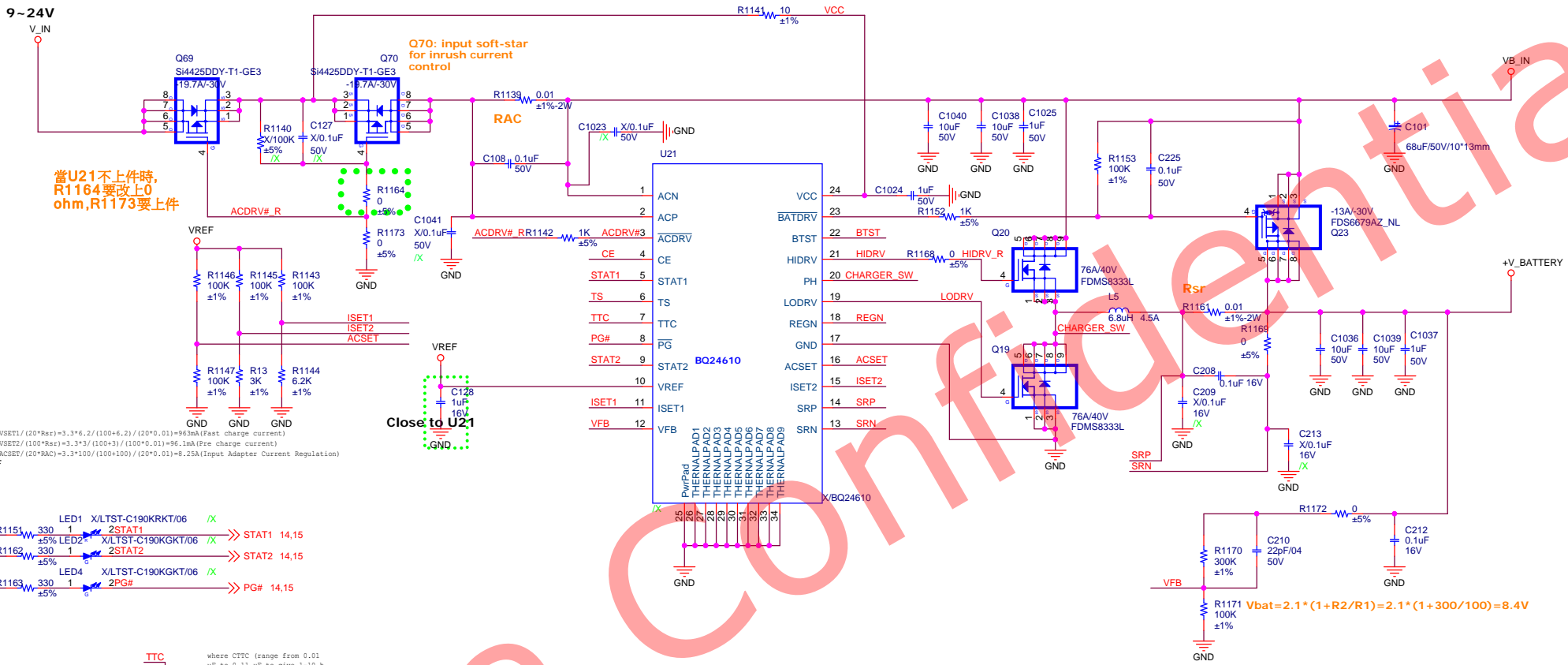
ACTIVE:UP-LED =YELLOW
 SPEED :DOWN-LED =OFF
 100 =GREEN
 1000 =ORANGE



avalue Technology Inc.		Confidential	
Project Name	REV-SA01	Module Number	Rev
Size	A3	Title	P13_LVDS, LAN1
Date:	星期二, 四月 15, 2014	Sheet	13 of 16



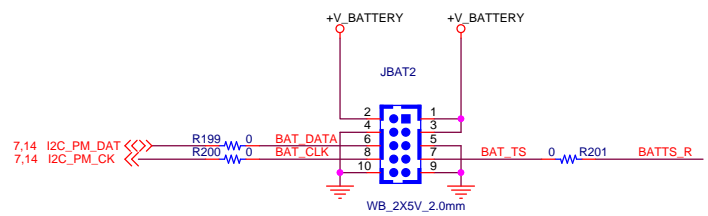
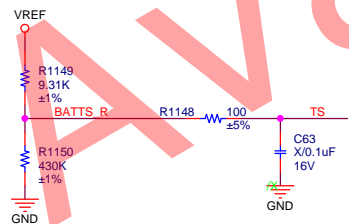
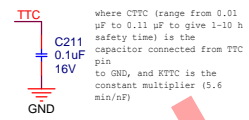
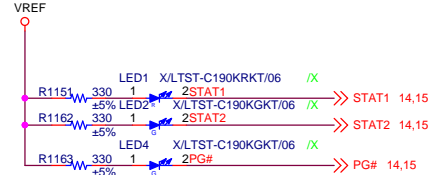
		Confidential	
Project Name	REV-SA01	Module Number	
Size	A3	Title	P14_SMARC Interface
Date:	星期二, 四月 15, 2014	Sheet	14 of 16



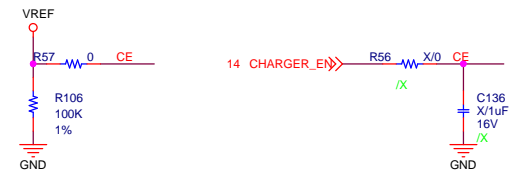
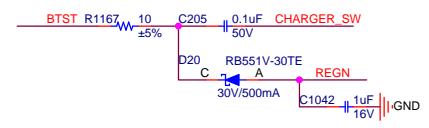
當U21不上件時,
R1164要改上0
ohm,R1173要上件

Close to U21

$ISET1 = VSET1 / (20 * Rsr) = 3.3 * 6.2 / (100 * 6.2) / (20 * 0.01) = 963mA$ (Fast charge current)
 $ISET2 = VSET2 / (100 * Rsr) = 3.3 * 3 / (100 * 3) / (100 * 0.01) = 96.1mA$ (Pre charge current)
 $I209 = VACSET7 / (20 * RAC) = 3.3 * 100 / (100 * 100) / (20 * 0.01) = 8.25A$ (Input Adapter Current Regulation)




- 14,15 STAT1 <<<
- 14,15 STAT2 <<<
- 14,15 PG# <<<



		Confidential	
		Project Name	Module Number
REV-SA01			
Size	Title		
A3	P15_BATTERY CHARGER		
Date:	星期二, 四月 15, 2014	Sheet	15 of 16

1. LAN2 change to Intel 82574L

Avalue Confidential

		Confidential
Project Name REV-SA01		Module Number Rev
Size A3	Title P16_History	Rev A1
Date: 星期二, 四月 15, 2014		Sheet 16 of 16